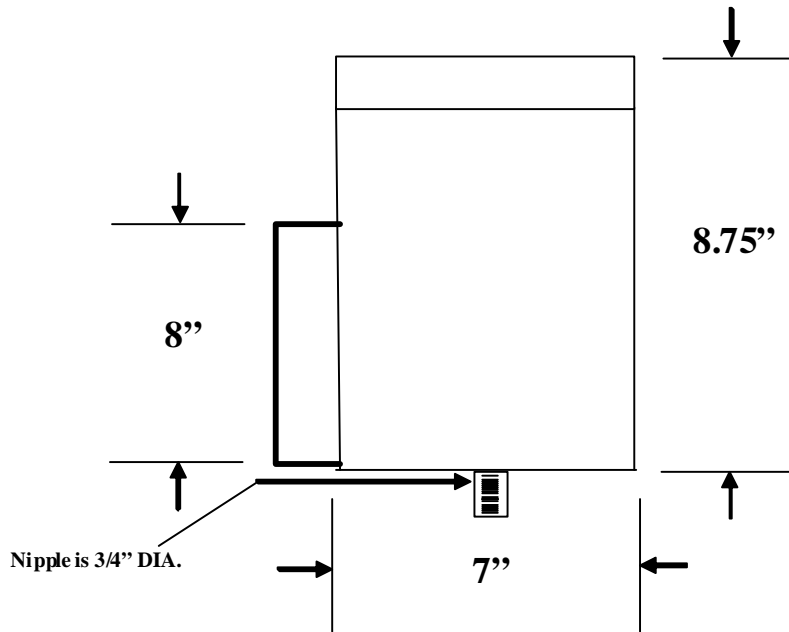


## Technical Data Sheet for HID Outdoor Weatherproof Ballasts

**SOLA Canada  
Outdoor Weatherproof Enclosed Ballast  
Dimensional Data  
Model #: EMIAFRM400-OD  
For M59/H33 Lamps**



**Side View**



**SOLA Canada**  
**Outdoor Weatherproof Enclosed Ballast**  
**Dimensional Data**  
**Model #: EMIAFRM400-OD**  
**For M59/H33 Lamps**

Line Voltage	120/208/240V		
Regulation			
Line Volts	+/-10%		
Lamp Watts	+/-10%		
Frequency	60 Hz		
Circuit Type	CWI		
Power Factor (min)	90%		
Insulation Class	H(180°)		
Min. Ambient Starting Temp.	-20° F or -30° C		
Line Voltage (Volts)	120	208	240
Line Current (Amps)			
Operating	4.10	2.37	2.05
Open Circuit	3.90	2.28	1.97
Starting	1.25	0.71	0.61
Input Watts (W)	462	462	462
Open Circuit Voltage (V)	300	300	300
Drop Out Voltage (V)	60	105	125
UL(1029) Bench Top Rise	D	D	D
Recommended Fuse (Amps)	10	7	5
HIGH POTENTIAL TEST (VOLTS)			
1 Minute	2000		
2 Seconds	2500		
Open Circuit Voltage Test(volts)	270-330		
Short-Circuit Current Test (Amps)			
Secondary Current	3.4-4.2		
Input Current (Amps)	0.53 -	0.31 -	0.27 -
	0.98	0.57	0.49



**Wiring Diagram**

