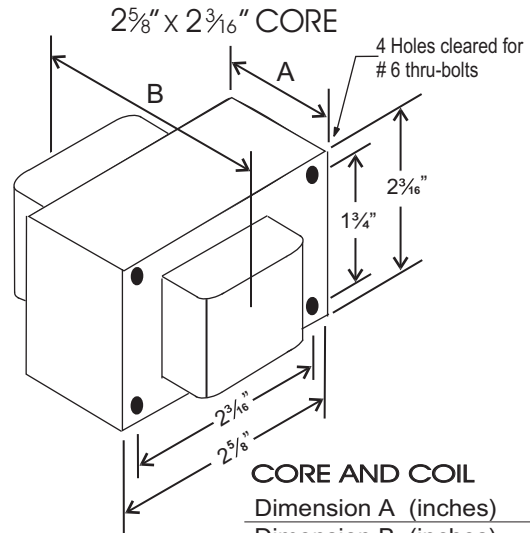


### CATALOG NUMBER: E-SRN00F100IA FOR ONE 100 WATT, S54 HIGH PRESSURE SODIUM LAMP

Line Voltage	120V
Regulation	
Line Volts	+/- 5%
Lamp Watts	WITHIN TRAPEZOID
Frequency	60 Hz
Circuit Type	R-NPF (HPF WITH CAPACITOR)
Power Factor (min)	90% MIN. WITH CAP.
Insulation Class	H(180°)
Min. Ambient Starting Temp.	-40° F or -40° C

Line Voltage (Volts)	120	120
Line Current (Amps)	NPF	HPF
Operating	2.10	1.03
Open Circuit	0	1.63
Starting	3.08	1.45
Input Watts (W)	115	115
Open Circuit Voltage (V)	120	120
Drop Out Voltage (V)	95	95
UL(1029) Bench Top Rise	A	A
Recommended Fuse (Amps)	10	5

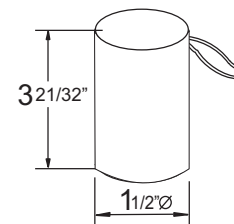
HIGH POTENTIAL TEST (VOLTS)	
1 Minute	2000
2 Seconds	2500
Open Circuit Voltage Test (volts)	114-126
Short-Circuit Current Test (Amps)	
Secondary Current	2.54-4.01
Input Current (Amps)	2.60 - 1.17 - 4.05 2.50



#### CORE AND COIL

Dimension A (inches)	1.46
Dimension B (inches)	3.17
Weight (Lbs)	2.63
Lead Lengths (inches)	12

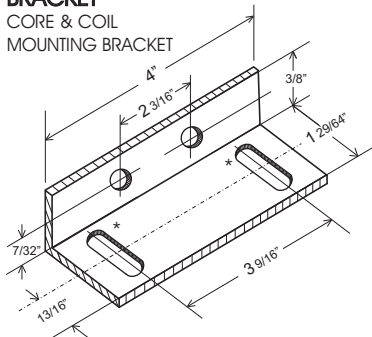
#### CAPACITOR



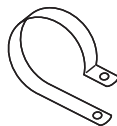
RATING  
36 Mfd ± 3%  
120 VAC MIN  
Dry Film Capacitor  
Thermal Plastic Case  
Max. Case Temp 100° C  
NO PCB'S

#### BRACKET

CORE & COIL  
MOUNTING BRACKET

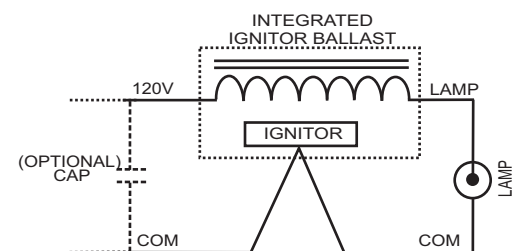


1353  
Mounting bracket for  
Core & Coil Ballasts  
(1 bracket with thru bolts)  
\* 1/4" x 1 1/8" 2 SLOTS



C-01  
MOUNTING CLIP for round  
case (Furnished as standard  
with B suffix ballast)

#### WIRING DIAGRAM



An integrated ignitor to the core and coil  
assembly is used to start the lamp

Ballast to Lamp Distance  
(BTL) = 2 feet

Data is based upon tests performed by Industrias Sola Basic in a controlled environment and representative of relative performance. Actual Performance can vary depending on operating conditions. Specifications are subject to change without notice.

ISO 9001:2000



## SOLA CANADA

### LIGHTING & POWER

171 Ambassador Drive  
Units 8 & 9  
Mississauga, ON  
L5T 2J1

Phone: 905-670-0746  
Fax: 905-670-9689

www.solacanada.com

Made in Mexico by Industrias Sola Basic S.A de C.V.