

CATALOG NUMBER: E-MIAJDDZ250 FOR ONE 250 WATT, M58 METAL HALIDE LAMP

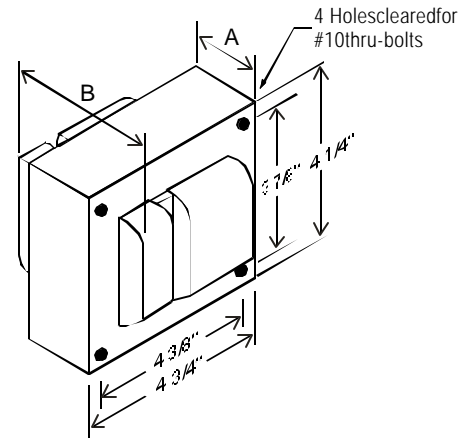
Line Voltage	347/480/600V
Regulation	
Line Volts	+/-10%
Line Watts	+/-10%
Frequency	60Hz
Circuit Type	CWI
Power Factor (min)	90%
Insulation Class	H(180°)
Min. Ambient Starting Temp.	-20°F or -30° C

Line Voltage (Volts)	347	480	600
Line Current (Amps)			
Operating	0.90	0.65	0.52
Open Circuit	0.72	0.52	0.41
Starting	0.30	0.22	0.18
Input Watts (W)	292	292	292
Open Circuit Voltage (V)	300	300	300
Drop Out Voltage (V)	190	260	315
UL(1029) Bench Top Rise	C	C	C
Recommended Fuse (Amps)	3	2	2

HIGH POTENTIAL TEST (VOLTS)

1 Minute	2000
2 Seconds	2500
Open Circuit Voltage Test (volts)	275-325
Short-Circuit Current Test (Amps)	
Secondary Current	2.3-2.6
Input Current (Amps)	0.16- 0.12- 0.10- 0.30 0.22 0.17

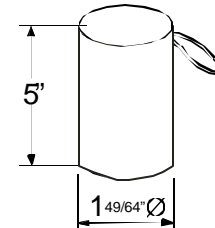
4 1/4" x 4 3/4" CORE



CORE AND COIL

Dimension A (inches)	1.80
Dimension B (inches)	3.55
Weight (Lbs)	12.00
Lead Lengths (inches)	12

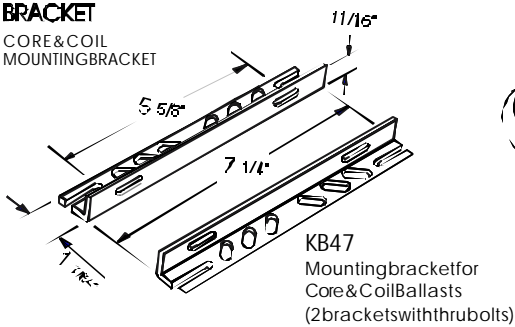
CAPACITOR



RATING
12 Mfd ± 3%
480VAC MIN
Dry Film Capacitor
Thermal Plastic Case
Max. Case Temp 100°C
NO PCB'S

BRACKET

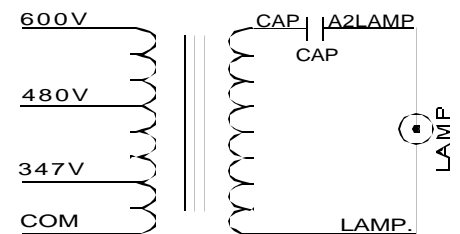
CORE & COIL MOUNTING BRACKET



C-01

MOUNTING CLIP for round case (Furnished as standard with B suffix ballast)

WIRING DIAGRAM



347/480/600 VOLT CONNECTION

Data is based upon tests performed by Industrias Sola Basic in a controlled environment and representative of relative performance. Actual performance can vary depending on operating conditions. Specifications are subject to change without notice.



Certification No. 005224



SOLA CANADA
LIGHTING & POWER

171 Ambassador Drive
Units 8 & 9
Mississauga, ON
L5T2J1

Phone: 905-670-0746
Fax: 905-670-9689

www.solacanada.com

Made in Mexico by Industrias Sola Basic S.A. de C.V.