

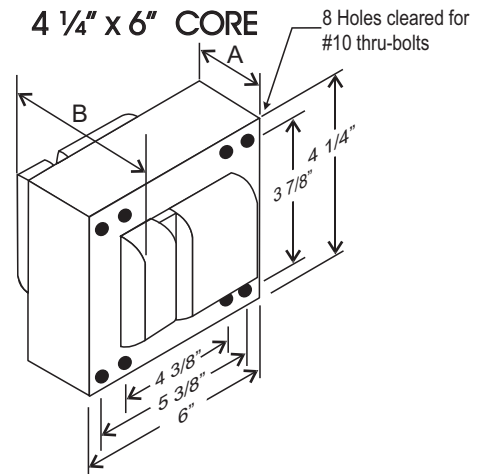
CATALOG NUMBER: E-MCAFTJ4002S FOR TWO 400 WATT, M59 METAL HALIDE LAMP

Line Voltage	120/277/347V
Regulation	
Line Volts	+/-10%
Lamp Watts	+/-10%
Frequency	60 Hz
Circuit Type	CWA
Power Factor (min)	90%
Insulation Class	H(180°)
Min. Ambient Starting Temp.	-20° F or -30° C

Line Voltage (Volts)	120	277	347
Line Current (Amps)			
Operating	7.9	3.4	2.74
Open Circuit	5.83	2.95	2.06
Starting	5.6	2.35	1.90
Input Watts (W)	880	880	880
Open Circuit Voltage (V)	630	630	630
Drop Out Voltage (V)	55	130	160
UL(1029) Bench Top Rise	F	F	E
Recommended Fuse (Amps)	20	8	7

HIGH POTENTIAL TEST (VOLTS)

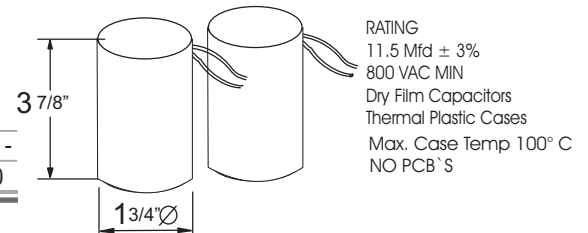
1 Minute	2000
2 Seconds	2500
Open Circuit Voltage Test (volts)	580-685
Short-Circuit Current Test (Amps)	
Secondary Current	3.6 - 4.30
Input Current (Amps)	
	4.65 - 1.80 - 1.60 -
	6.60 2.86 2.30



CORE AND COIL

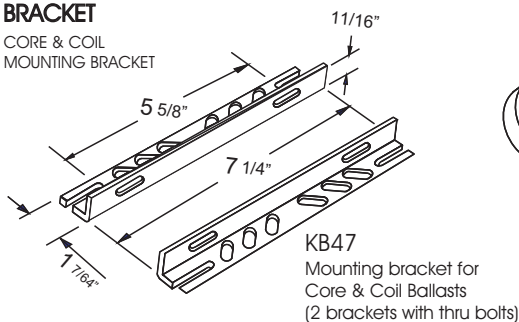
Dimension A (inches)	3.40
Dimension B (inches)	5.30
Weight (Lbs)	26.00
Lead Lengths (inches)	12

2 CAPACITOR SET



BRACKET

CORE & COIL
MOUNTING BRACKET

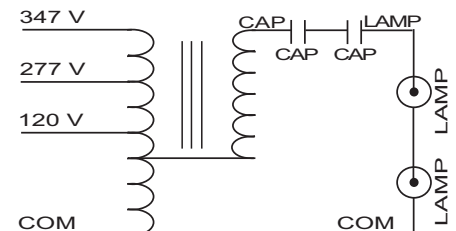


KB47
Mounting bracket for
Core & Coil Ballasts
(2 brackets with thru bolts)

C-01

MOUNTING CLIP for round case
(Furnished as standard with B suffix ballast)

WIRING DIAGRAM



120/277/347 VOLT CONNECTION

Data is based upon tests performed by Industrias Sola Basic in a controlled environment and representative of relative performance. Actual Performance can vary depending on operating conditions. Specifications are subject to change without notice.

ISO 9001:2000



SOLA CANADA

LIGHTING & POWER

171 Ambassador Drive
Units 8 & 9
Mississauga, ON
L5T 2J1

Phone: 905-670-0746
Fax: 905-670-9689

www.solacanada.com

Made in Mexico by Industrias Sola Basic S.A de C.V.