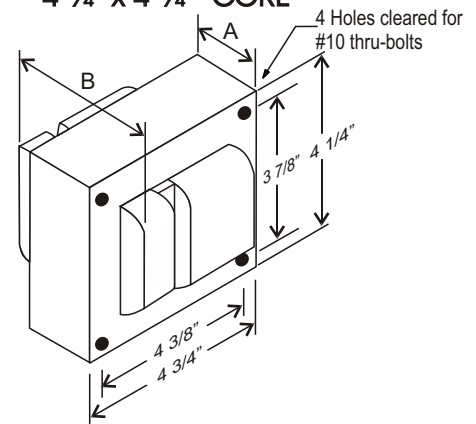


CATALOG NUMBER: E-971-W-SO250 FOR ONE 250 WATT, S50 HIGH PRESSURE SODIUM LAMP

Line Voltage	120/208/240/277V
Regulation	
Line Volts	+/-10%
Line Watts	WITHIN TRAPEZOID
Frequency	60 Hz
Circuit Type	CWA
Power Factor (min)	90%
Insulation Class	H(180°)
Min. Ambient Starting Temp.	-40° F or -40° C

Line Voltage (Volts)	120	208	240	277
Line Current (Amps)				
Operating	2.5	1.5	1.3	1.1
Open Circuit	1.70	0.95	0.86	0.74
Starting	1.67	0.95	0.80	0.68
Input Watts (W)	295	295	295	295
Open Circuit Voltage (V)	185	185	185	185
Drop Out Voltage (V)	70	120	140	160
UL(1029) Bench Top Rise	A	B	A	A
Recommended Fuse (Amps)	8	5	4	4
HIGH POTENTIAL TEST (VOLTS)				
1Minute	2000			
2 Seconds	2500			
Open Circuit Voltage Test(volts)	175-210			
Short-Circuit Current Test (Amps)				
Secondary Current	4.0 - 4.5			
Input Current (Amps)	1.30 - 1.75	0.75 - 1.00	0.63 - 0.90	0.55 - 0.80

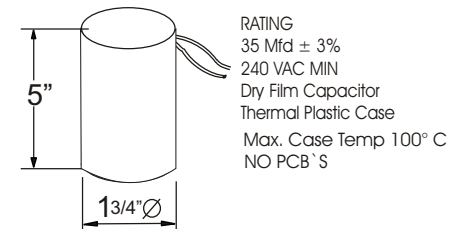
4 1/4" x 4 3/4" CORE



CORE AND COIL

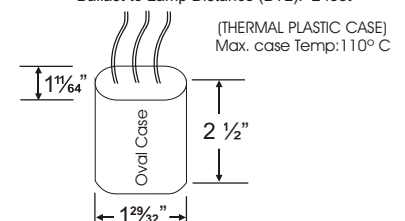
Dimension A (inches)	1.80
Dimension B (inches)	3.50
Weight (Lbs)	11.60
Lead Lengths (inches)	12

CAPACITOR



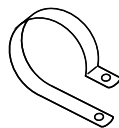
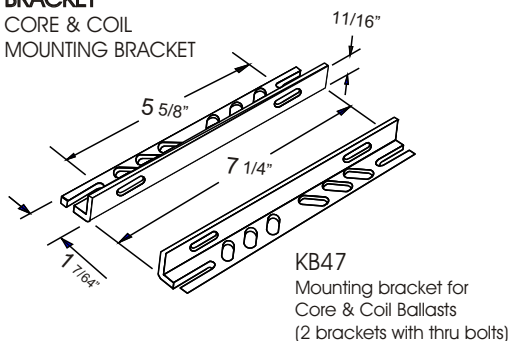
IGNITOR 37-63-AS-6.9-N6

Ballast to Lamp Distance (BTL): 2 feet

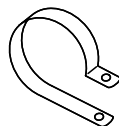


BRACKET

CORE & COIL
MOUNTING BRACKET

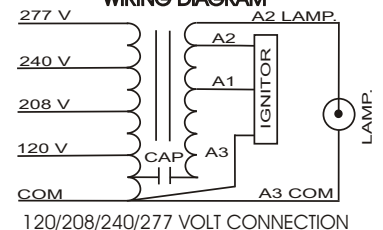


C-01
MOUNTING CLIP for round
case (Furnished as standard
with B suffix ballast)



I-01
MOUNTING CLIP for oval
case (Furnished as standard
with B suffix ballast)

WIRING DIAGRAM



Data is based upon tests performed by Industrias Sola Basic in a controlled environment and representative of relative performance. Actual Performance can vary depending on operating conditions. Specifications are subject to change without notice.



Certificate No. 006281



SOLA CANADA LIGHTING & POWER

171 Ambassador Drive
Units 8 & 9
Mississauga, ON
L5T 2J1

Phone: 905-670-0746
Fax: 905-670-9689

www.solacanada.com