

CATALOG NUMBER: E-871-W-117 FOR ONE 175 WATT, M57 METAL HALIDE LAMP

Line Voltage	120/208/240/277V
Regulation	
Line Volts	+/-10%
Line Watts	+/-10%
Frequency	60 Hz
Circuit Type	CWA
Power Factor (min)	90%
Insulation Class	H(180°)
Min. Ambient Starting Temp.	-20° F or -30° C

Line Voltage (Volts)	120	208	240	277
Line Current (Amps)				
Operating	1.80	1.04	0.90	0.78
Open Circuit	1.75	1.0	0.87	0.78
Starting	1.27	0.75	0.65	0.55
Input Watts (W)	210	210	210	210
Open Circuit Voltage (V)	305	305	305	305
Drop Out Voltage (V)	60	104	120	140
UL(1029) Bench Top Rise	B	C	C	
Recommended Fuse (Amps)	5	3	2	

HIGH POTENTIAL TEST (VOLTS)

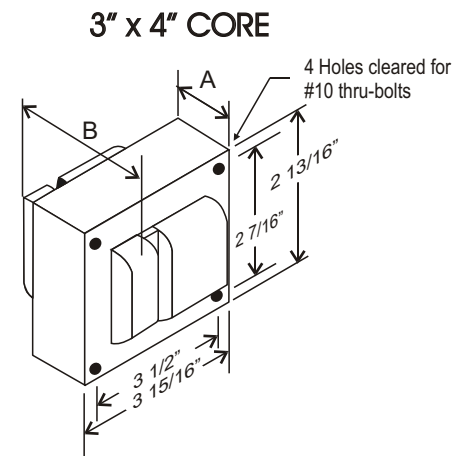
1 Minute	2000
2 Seconds	2500

Open Circuit Voltage Test(volts) 275-340

Short-Circuit Current Test (Amps)

Secondary Current 1.5 - 1.9

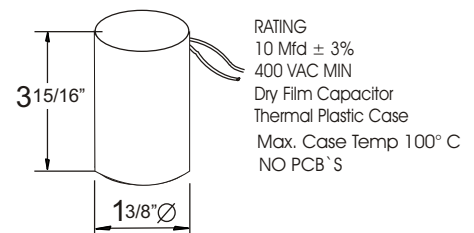
Input Current (Amps)	0.92 -	0.52 -	0.45 -	0.40 -
	1.30	0.75	0.65	0.57



CORE AND COIL

Dimension A (inches)	2.25
Dimension B (inches)	3.75
Weight (Lbs)	7.70
Lead Lengths (inches)	12

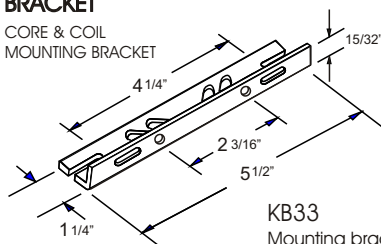
CAPACITOR



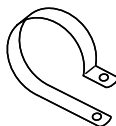
RATING
10 Mfd ± 3%
400 VAC MIN
Dry Film Capacitor
Thermal Plastic Case
Max. Case Temp 100° C
NO PCB'S

BRACKET

CORE & COIL
MOUNTING BRACKET



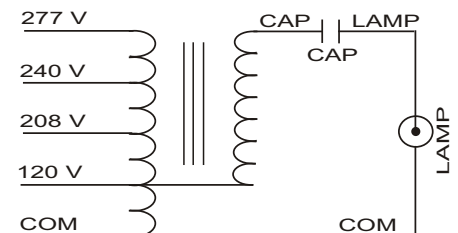
KB33
Mounting bracket for
Core & Coil Ballasts
(1 bracket with thru bolts)



C-01

MOUNTING CLIP for round case (Furnished as standard with B suffix ballast)

WIRING DIAGRAM



120/208/240/277 VOLT CONNECTION

Data is based upon tests performed by Industrias Sola Basic in a controlled environment and representative of relative performance. Actual Performance can vary depending on operating conditions. Specifications are subject to change without notice.



Certificate No. 006281



SOLA CANADA

LIGHTING & POWER

171 Ambassador Drive
Units 8 & 9
Mississauga, ON
L5T 2J1

Phone: 905-670-0746
Fax: 905-670-9689

www.solacanada.com

Made in Mexico by Industrias Sola Basic S.A de C.V.