

### CATALOG NUMBER: E-871-FT-411 FOR ONE 400 WATT, M59 METAL HALIDE LAMP

Line Voltage	120/277V
Regulation	
Line Volts	+/-10%
Line Watts	+/-10%
Frequency	60 Hz
Circuit Type	CWA
Power Factor (min)	90%
Insulation Class	H(180°)
Min. Ambient Starting Temp.	-20° F or -30° C

Line Voltage (Volts)	120	277
Line Current (Amps)		
Operating	4.0	1.70
Open Circuit	3.7	1.62
Starting	2.8	1.20
Input Watts (W)	458	458
Open Circuit Voltage (V)	300	300
Drop Out Voltage (V)	60	140
UL(1029) Bench Top Rise	A	D
Recommended Fuse (Amps)	10	5

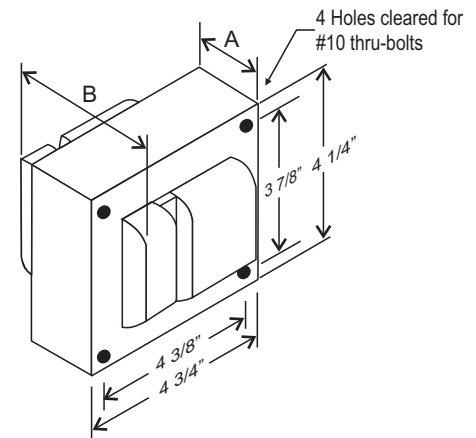
#### HIGH POTENTIAL TEST (VOLTS)

1 Minute	2000
2 Seconds	2500
Open Circuit Voltage Test(volts)	270-330

Short-Circuit Current Test (Amps)	
Secondary Current	3.4 - 4.20

Input Current (Amps)	2.55 - 3.00	1.13 - 1.40
----------------------	-------------	-------------

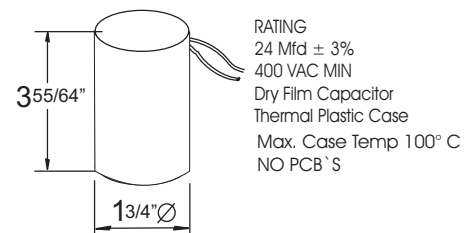
#### 4 1/4" x 4 3/4" CORE



#### CORE AND COIL

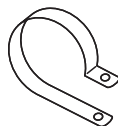
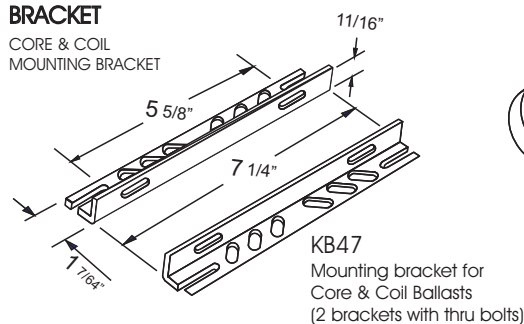
Dimension A (inches)	2.00
Dimension B (inches)	3.70
Weight (Lbs)	13.00
Lead Lengths (inches)	12

#### CAPACITOR



#### BRACKET

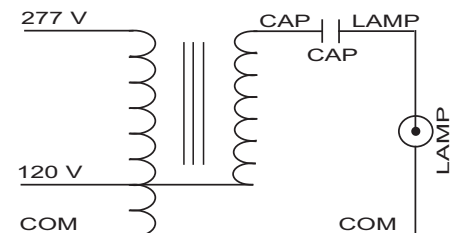
CORE & COIL  
MOUNTING BRACKET



#### C-01

MOUNTING CLIP for round case (Furnished as standard with B suffix ballast)

#### WIRING DIAGRAM



120/277 VOLT CONNECTION

Data is based upon tests performed by Industrias Sola Basic in a controlled environment and representative of relative performance. Actual Performance can vary depending on operating conditions. Specifications are subject to change without notice.



Certificate No. 006281



## SOLA CANADA

### LIGHTING & POWER

171 Ambassador Drive  
Units 8 & 9  
Mississauga, ON  
L5T 2J1

Phone: 905-670-0746  
Fax: 905-670-9689

www.solacanada.com

Made in Mexico by Industrias Sola Basic S.A de C.V.