

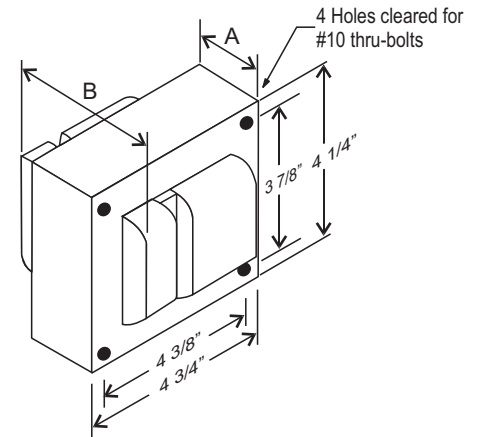
CATALOG NUMBER: E-871-FM-251 FOR ONE 250 WATT, M58 METAL HALIDE LAMP

Line Voltage	120/240V
Regulation	
Line Volts	+/-10%
Lamp Watts	+/-10%
Frequency	60 Hz
Circuit Type	CWA
Power Factor (min)	90%
Insulation Class	H(180°)
Min. Ambient Starting Temp.	-20° F or -30° C

Line Voltage (Volts)	120	240
Line Current (Amps)		
Operating	2.50	1.25
Open Circuit	2.50	1.25
Starting	1.56	0.77
Input Watts (W)	290	290
Open Circuit Voltage (V)	300	300
Drop Out Voltage (V)	60	120
UL(1029) Bench Top Rise	A	A
Recommended Fuse (Amps)	8	5

HIGH POTENTIAL TEST (VOLTS)	
1 Minute	2000
2 Seconds	2500
Open Circuit Voltage Test (volts)	280-340
Short-Circuit Current Test (Amps)	
Secondary Current	2.2-2.70
Input Current (Amps)	1.20 - 0.61 - 1.75 0.90

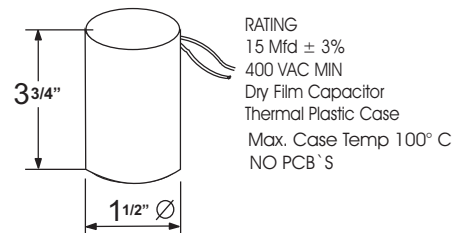
4 1/4" x 4 3/4" CORE



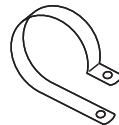
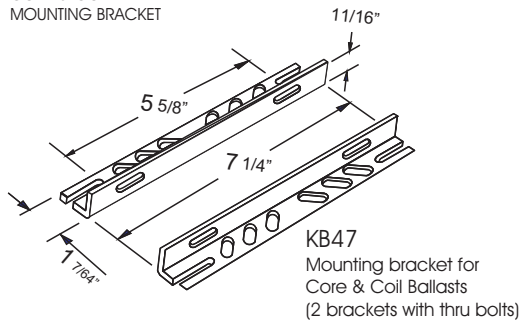
CORE AND COIL

Dimension A (inches)	1.50
Dimension B (inches)	3.00
Weight (Lbs)	10.0
Lead Lengths (inches)	12

CAPACITOR

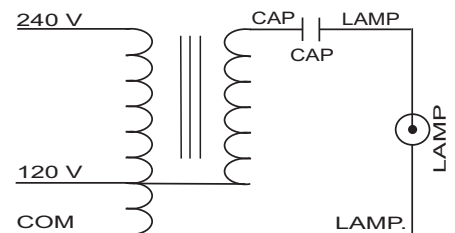


BRACKET CORE & COIL MOUNTING BRACKET



C-01
MOUNTING CLIP for round case (Furnished as standard with B suffix ballast)

WIRING DIAGRAM



120/240 VOLT CONNECTION

Data is based upon tests performed by Industrias Sola Basic in a controlled environment and representative of relative performance. Actual Performance can vary depending on operating conditions. Specifications are subject to change without notice.

ISO 9001:2000



SOLA CANADA

LIGHTING & POWER

171 Ambassador Drive
Units 8 & 9
Mississauga, ON
L5T 2J1

Phone: 905-670-0746
Fax: 905-670-9689

www.solacanada.com

Made in Mexico by Industrias Sola Basic S.A de C.V.