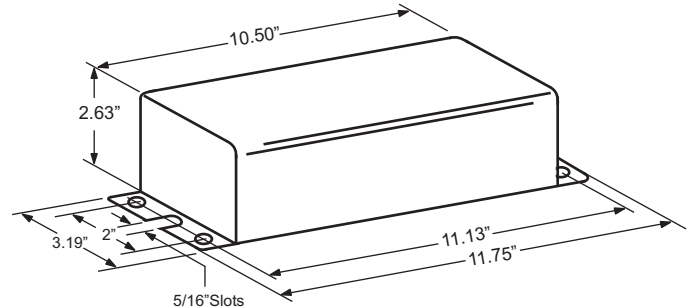


CATALOG NUMBER: E-SZAFTJ50F FOR ONE 50 WATT, S68 HIGH PRESSURE SODIUM LAMP

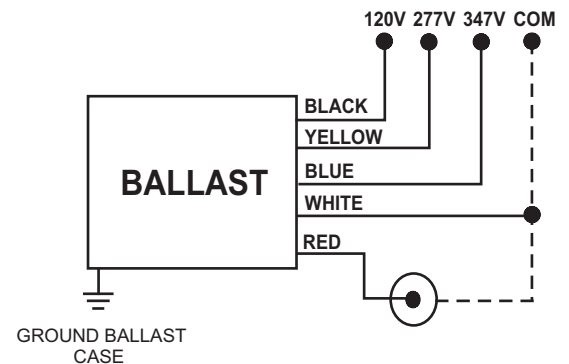
Line Voltage	120/277/347V
Regulation	
Line Volts	+/- 5%
Line Watts	WITHIN TRAPEZOID
Frequency	60 Hz
Circuit Type	HX-HPF
Power Factor (min)	90%
Insulation Class	A(105°)
Min. Ambient Starting Temp.	-40° F or -40° C



Line Voltage (Volts)	120	277	347
Line Current (Amps)			
Operating	0.60	0.26	0.21
Open Circuit	1.05	0.46	0.36
Starting	0.60	0.26	0.21
Input Watts (W)	65	65	65
Open Circuit Voltage (V)	125	125	125
Drop Out Voltage (V)	90	208	275
UL(1029) Bench Top Rise	A	A	A
Recommended Fuse (Amps)	3	1	1
HIGH POTENTIAL TEST (VOLTS)			
1 Minute	2000		
2 Seconds	2500		
Open Circuit Voltage Test(volts)	115-135		
Short-Circuit Current Test (Amps)			
Secondary Current	1.3 - 1.6		
Input Current (Amps)	0.50 - 0.75	0.20 - 0.31	0.16 - 0.25

Weight (Lbs)	9.00
Lead lengths (Inches)	12.00
Sound rating	B

WIRING DIAGRAM



120/277/347 VOLT CONNECTION

Data is based upon tests performed by Industrias Sola Basic in a controlled environment and representative of relative performance. Actual Performance can vary depending on operating conditions. Specifications are subject to change without notice.



Certificate No. 006281



Made in Mexico by Industrias Sola Basic S.A de C.V.

SOLA CANADA

LIGHTING & POWER

171 Ambassador Drive
Units 8 & 9
Mississauga, ON
L5T 2J1

Phone: 905-670-0746
Fax: 905-670-9689

www.solacanada.com