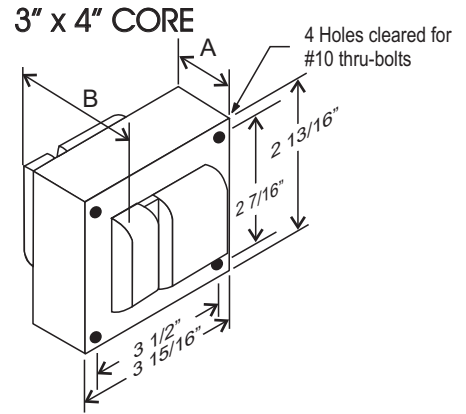


### CATALOG NUMBER: E-SZAFTJ150 FOR ONE 150 WATT, S55 HIGH PRESSURE SODIUM LAMP

|                             |                  |
|-----------------------------|------------------|
| Line Voltage                | 120/277/347V     |
| Regulation                  |                  |
| Line Volts                  | +/- 5%           |
| Line Watts                  | WITHIN TRAPEZOID |
| Frequency                   | 60 Hz            |
| Circuit Type                | HX-HPF           |
| Power Factor (min)          | 90%              |
| Insulation Class            | H(180°)          |
| Min. Ambient Starting Temp. | -40° F or -40° C |

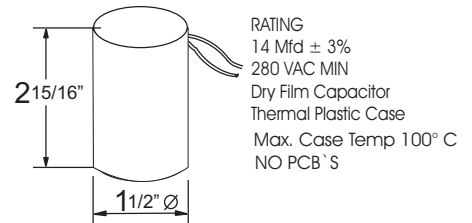
|                                    |             |             |             |
|------------------------------------|-------------|-------------|-------------|
| Line Voltage (Volts)               | 120         | 277         | 347         |
| Line Current (Amps)                |             |             |             |
| Operating                          | 1.66        | 0.72        | 0.57        |
| Open Circuit                       | 2.81        | 1.21        | 0.97        |
| Starting                           | 1.90        | 0.82        | 0.65        |
| Input Watts (W)                    | 188         | 188         | 188         |
| Open Circuit Voltage (V)           | 120         | 120         | 120         |
| Drop Out Voltage (V)               | 96          | 222         | 277         |
| UL(1029) Bench Top Rise            | D           | C           | C           |
| Recommended Fuse (Amps)            | 10          | 4           | 3           |
| <b>HIGH POTENTIAL TEST (VOLTS)</b> |             |             |             |
| 1 Minute                           | 2000        |             |             |
| 2 Seconds                          | 2500        |             |             |
| Open Circuit Voltage Test(volts)   | 110-135     |             |             |
| Short-Circuit Current Test (Amps)  |             |             |             |
| Secondary Current                  | 3.6 - 4.6   |             |             |
| Input Current (Amps)               | 1.20 - 1.26 | 0.52 - 0.56 | 0.40 - 0.45 |



#### CORE AND COIL

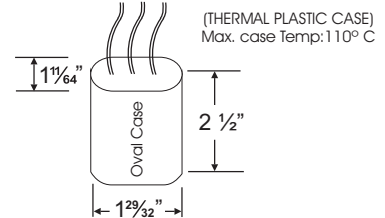
|                       |      |
|-----------------------|------|
| Dimension A (inches)  | 2.50 |
| Dimension B (inches)  | 3.85 |
| Weight (Lbs)          | 8.00 |
| Lead Lengths (inches) | 12   |

#### CAPACITOR

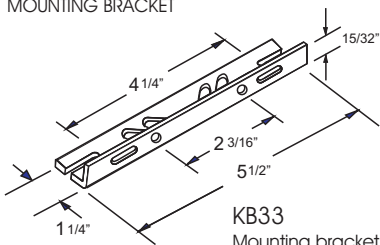


#### IGNITOR 37-63-AS-9.1-N7

Ballast to Lamp Distance (BTL): 2 feet



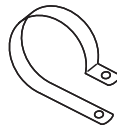
#### BRACKET CORE & COIL MOUNTING BRACKET



**KB33**  
Mounting bracket for  
Core & Coil Ballasts  
(1 bracket with thru bolts)

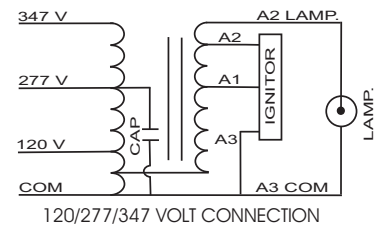


**C-01**  
MOUNTING CLIP for round  
case (Furnished as standard  
with B suffix ballast)



**I-01**  
MOUNTING CLIP for oval  
case (Furnished as standard  
with B suffix ballast)

#### WIRING DIAGRAM



Data is based upon tests performed by Industrias Sola Basic in a controlled environment and representative of relative performance. Actual Performance can vary depending on operating conditions. Specifications are subject to change without notice.



Certificate No. 006281



Made in Mexico by Industrias Sola Basic S.A de C.V.

## SOLA CANADA LIGHTING & POWER

171 Ambassador Drive  
Units 8 & 9  
Mississauga, ON  
L5T 2J1

Phone: 905-670-0746  
Fax: 905-670-9689

www.solacanada.com