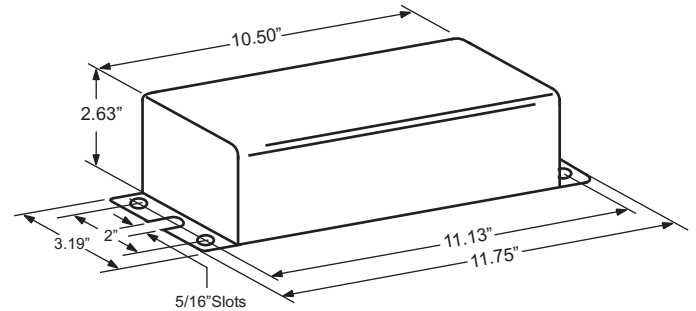


CATALOG NUMBER: E-SZA0FT50F FOR ONE 50 WATT, S68 HIGH PRESSURE SODIUM LAMP

Line Voltage	120/277V
Regulation	
Line Volts	+/- 5%
Line Watts	WITHIN TRAPEZOID
Frequency	60 Hz
Circuit Type	HX-HPF
Power Factor (min)	90%
Insulation Class	A(105°)
Min. Ambient Starting Temp.	-40° F or -40° C

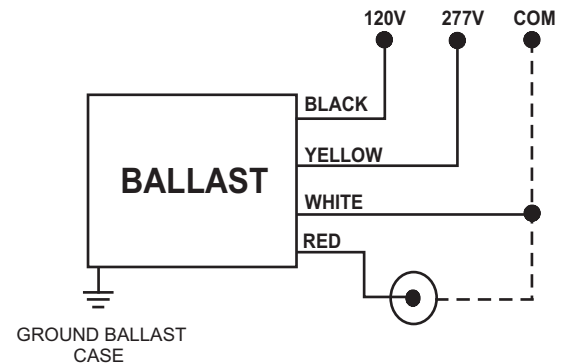


Line Voltage (Volts)	120	277
Line Current (Amps) Operating	0.60	0.26
Open Circuit	1.05	0.46
Starting	0.60	0.26
Input Watts (W)	65	65
Open Circuit Voltage (V)	125	125
Drop Out Voltage (V)	90	208
UL(1029) Bench Top Rise	A	A
Recommended Fuse (Amps)	3	1

Weight (Lbs)	9.00
Lead lengths (Inches)	12.00
Sound rating	B

HIGH POTENTIAL TEST (VOLTS)	
1 Minute	2000
2 Seconds	2500
Open Circuit Voltage Test(volts)	115-135
Short-Circuit Current Test (Amps)	
Secondary Current	1.3 - 1.6
Input Current (Amps)	0.50 - 0.20 - 0.75 0.31

WIRING DIAGRAM



120/277 VOLT CONNECTION

IGNITOR: IN CAN

The ignitor is included as part of the potted assembly. Ballast to Lamp distance (BTL)= 15 feet. Temp. Rating: 90° C

Data is based upon tests performed by Industrias Sola Basic in a controlled environment and representative of relative performance. Actual Performance can vary depending on operating conditions. Specifications are subject to change without notice.



Certificate No. 006281



Made in Mexico by Industrias Sola Basic S.A de C.V.

SOLA CANADA

LIGHTING & POWER

171 Ambassador Drive
Units 8 & 9
Mississauga, ON
L5T 2J1

Phone: 905-670-0746
Fax: 905-670-9689

www.solacanada.com