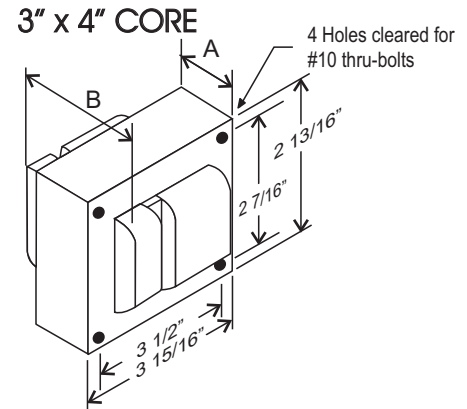


### CATALOG NUMBER: E-SZA00W35 FOR ONE 35 WATT, S76 HIGH PRESSURE SODIUM LAMP

Line Voltage	120/208/240/277V
Regulation	
Line Volts	+/- 5%
Line Watts	WITHIN TRAPEZOID
Frequency	60 Hz
Circuit Type	HX-HPF
Power Factor (min)	90%
Insulation Class	H(180°)
Min. Ambient Starting Temp.	-40° F or -40° C

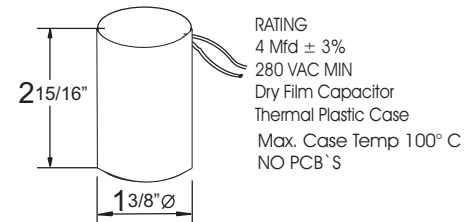
Line Voltage (Volts)	120	208	240	277
Line Current (Amps)				
Operating	0.41	0.24	0.20	0.18
Open Circuit	0.80	0.46	0.40	0.35
Starting	0.55	0.25	0.22	0.19
Input Watts (W)	47	47	47	47
Open Circuit Voltage (V)	120	120	120	120
Drop Out Voltage (V)	95	165	190	220
UL(1029) Bench Top Rise	A	A	A	A
Recommended Fuse (Amps)	3	1	1	1
HIGH POTENTIAL TEST (VOLTS)				
1 Minute	2000			
2 Seconds	2500			
Open Circuit Voltage Test (volts)	112-130			
Short-Circuit Current Test (Amps)				
Secondary Current	1.0 - 1.3			
Input Current (Amps)	0.30 - 0.42	0.20 - 0.30	0.15 - 0.25	0.10 - 0.20



#### CORE AND COIL

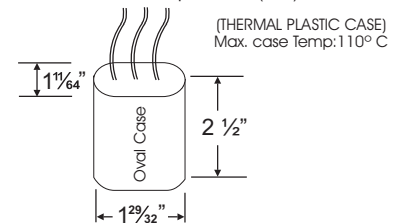
Dimension A (inches)	1.00
Dimension B (inches)	2.20
Weight (Lbs)	4.10
Lead Lengths (inches)	12

#### CAPACITOR

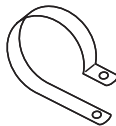
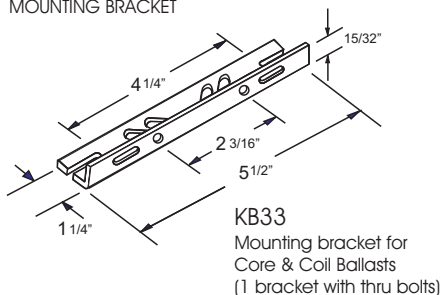


#### IGNITOR 37-63-AS-9.1-N7

Ballast to Lamp Distance (BTL): 2 feet



#### BRACKET CORE & COIL MOUNTING BRACKET



#### C-01

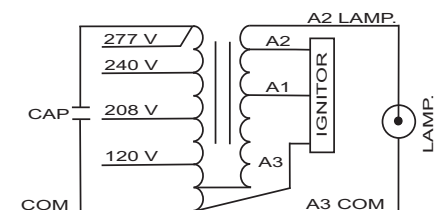
MOUNTING CLIP for round case (Furnished as standard with B suffix ballast)



#### I-01

MOUNTING CLIP for oval case (Furnished as standard with B suffix ballast)

#### WIRING DIAGRAM



120/208/240/277 VOLT CONNECTION

Data is based upon tests performed by Industrias Sola Basic in a controlled environment and representative of relative performance. Actual Performance can vary depending on operating conditions. Specifications are subject to change without notice.



Certificate No. 006281



## SOLA CANADA

### LIGHTING & POWER

171 Ambassador Drive  
Units 8 & 9  
Mississauga, ON  
L5T 2J1

Phone: 905-670-0746  
Fax: 905-670-9689

www.solacanada.com