

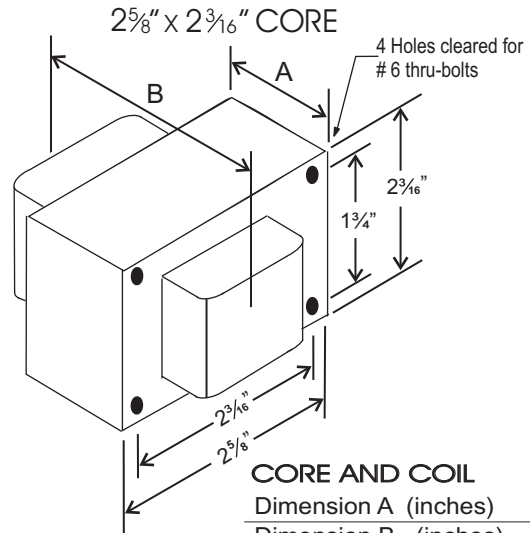
CATALOG NUMBER: E-SRN00F35 FOR ONE 35 WATT, S76 HIGH PRESSURE SODIUM LAMP

Line Voltage	120V
Regulation	
Line Volts	+/- 5%
Line Watts	WITHIN TRAPEZOID
Frequency	60 Hz
Circuit Type	R-NPF (HPF WITH CAPACITOR)
Power Factor (min)	90% MIN. WITH CAP.
Insulation Class	H(180°)
Min. Ambient Starting Temp.	-40° F or -40° C

Line Voltage (Volts)	120	120
Line Current (Amps)	NPF	HPF
Operating	0.83	0.40
Open Circuit	0.00	0.65
Starting	1.10	0.48
Input Watts (W)	45	45
Open Circuit Voltage (V)	120	120
Drop Out Voltage (V)	95	95
UL(1029) Bench Top Rise	B	B
Recommended Fuse (Amps)	3	2

HIGH POTENTIAL TEST (VOLTS)

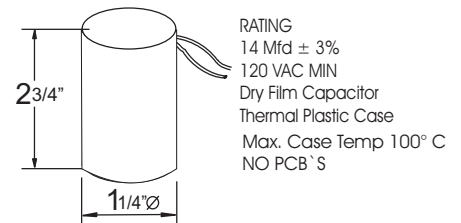
1 Minute	2000
2 Seconds	2500
Open Circuit Voltage Test (volts)	114-126
Short-Circuit Current Test (Amps)	
Secondary Current	1.0 - 1.17
Input Current (Amps)	1.00 - 0.40 - 1.16 0.50



CORE AND COIL

Dimension A (inches)	0.65
Dimension B (inches)	1.80
Weight (Lbs)	1.75
Lead Lengths (inches)	12

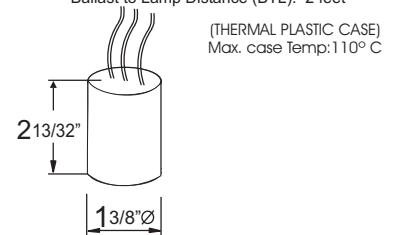
CAPACITOR



RATING
14 Mfd ± 3%
120 VAC MIN
Dry Film Capacitor
Thermal Plastic Case
Max. Case Temp 100° C
NO PCB'S

IGNITOR 37-63-AS-11.1-N

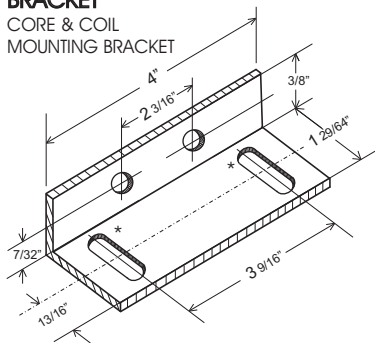
Ballast to Lamp Distance (BTL): 2 feet



(THERMAL PLASTIC CASE)
Max. case Temp: 110° C

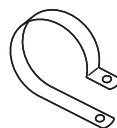
BRACKET

CORE & COIL
MOUNTING BRACKET



1353

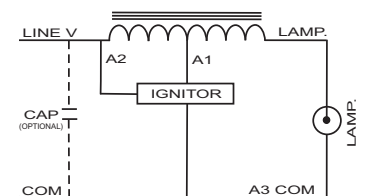
Mounting bracket for
Core & Coil Ballasts
(1 bracket with thru bolts)
* 1/4" x 1 1/8" 2 SLOTS



C-01

MOUNTING CLIP for round
case (Furnished as standard
with B suffix ballast)

WIRING DIAGRAM



Data is based upon tests performed by Industrias Sola Basic in a controlled environment and representative of relative performance. Actual Performance can vary depending on operating conditions. Specifications are subject to change without notice.



Certificate No. 006281



Made in Mexico by Industrias Sola Basic S.A de C.V.

SOLA CANADA

LIGHTING & POWER

171 Ambassador Drive
Units 8 & 9
Mississauga, ON
L5T 2J1

Phone: 905-670-0746
Fax: 905-670-9689

www.solacanada.com