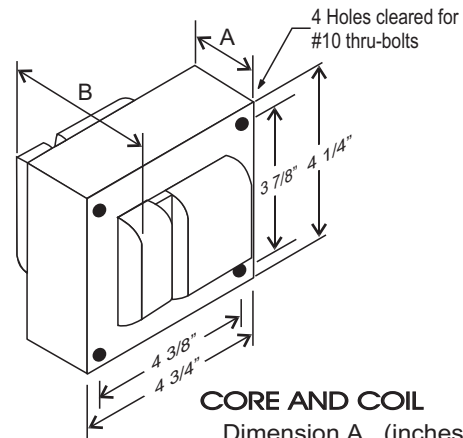


CATALOG NUMBER: E-SIADDZ250 FOR ONE 250 WATT, S50 HIGH PRESSURE SODIUM LAMP

Line Voltage	480/600V
Regulation	
Line Volts	+/-10%
Lamp Watts	WITHIN TRAPEZOID
Frequency	60 Hz
Circuit Type	CWI
Power Factor (min)	90%
Insulation Class	H(180°)
Min. Ambient Starting Temp.	-40° F or -40° C

Line Voltage (Volts)	480	600
Line Current (Amps)		
Operating	0.65	0.52
Open Circuit	0.42	0.31
Starting	0.26	0.21
Input Watts (W)	290	290
Open Circuit Voltage (V)	190	190
Drop Out Voltage (V)	330	410
UL(1029) Bench Top Rise	A	A
Recommended Fuse (Amps)	2	2
HIGH POTENTIAL TEST (VOLTS)		
1 Minute	2200	
2 Seconds	2650	
Open Circuit Voltage Test(volts)	170-210	
Short-Circuit Current Test (Amps)		
Secondary Current	3.6 - 4.20	
Input Current (Amps)	0.14 - 0.10 -	
	0.23 0.17	

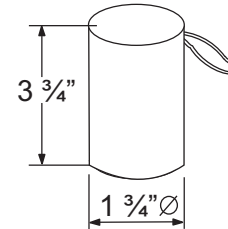
4 1/4" x 4 3/4" CORE



CORE AND COIL

Dimension A (inches)	1.90
Dimension B (inches)	3.75
Weight (Lbs)	13.0
Lead Lengths (inches)	12

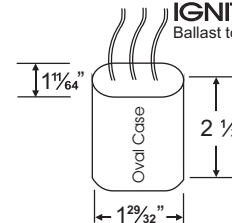
CAPACITOR



RATING
28 Mfd ± 3%
300 VAC MIN
Dry Film Capacitor
Thermal Plastic Case
Max. Case Temp 100° C
NO PCB'S

IGNITOR: 37-63-AS-6.9-N6

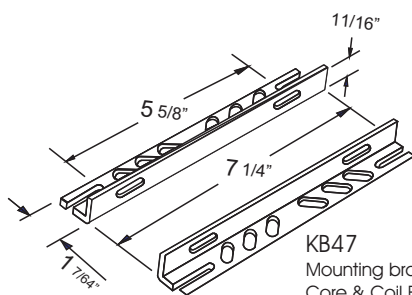
Ballast to Lamp Distance (BTL): 2 feet



(THERMAL PLASTIC CASE)
Max. case Temp: 110° C

BRACKET

CORE & COIL
MOUNTING BRACKET

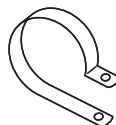


KB47
Mounting bracket for
Core & Coil Ballasts
(2 brackets with thru bolts)



C-01

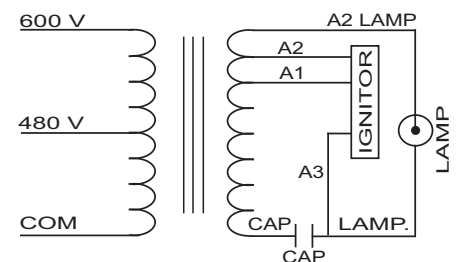
MOUNTING CLIP for round case (Furnished as standard with B suffix ballast)



I-01

MOUNTING CLIP for oval case (Furnished as standard with B suffix ballast)

WIRING DIAGRAM



480/600 VOLT CONNECTION

Data is based upon tests performed by Industrias Sola Basic in a controlled environment and representative of relative performance. Actual Performance can vary depending on operating conditions. Specifications are subject to change without notice.

ISO 9001:2000



SOLA CANADA

LIGHTING & POWER

171 Ambassador Drive
Units 8 & 9
Mississauga, ON
L5T 2J1

Phone: 905-670-0746
Fax: 905-670-9689

www.solacanada.com

Made in Mexico by Industrias Sola Basic S.A de C.V.