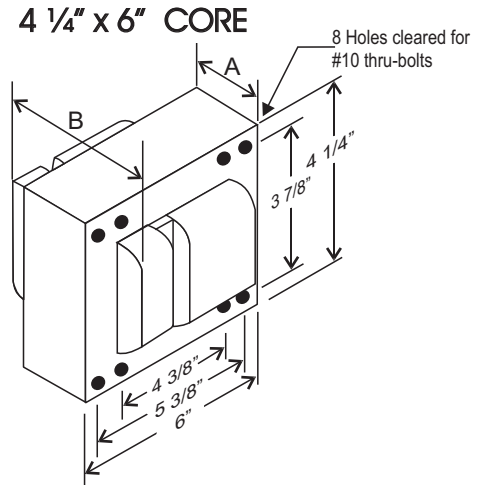


CATALOG NUMBER: E-SCAFTJ600 FOR ONE 600 WATT, S106 HIGH PRESSURE SODIUM LAMP

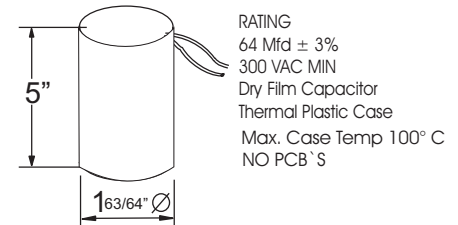
Line Voltage	120/277/347
Regulation	
Line Volts	+/-10%
Lamp Watts	WITHIN TRAPEZOID
Frequency	60 Hz
Circuit Type	CWA
Power Factor (min)	90%
Insulation Class	H(180°)
Min. Ambient Starting Temp.	-40° F or -40° C

Line Voltage (Volts)	120	277	347
Line Current (Amps)			
Operating	5.50	2.50	2.0
Open Circuit	3.95	1.72	1.37
Starting	4.80	2.10	1.65
Input Watts (W)	660	660	660
Open Circuit Voltage (V)	190	190	190
Drop Out Voltage (V)	65	150	190
UL(1029) Bench Top Rise	A	A	A
Recommended Fuse (Amps)	15	7	5
HIGH POTENTIAL TEST (VOLTS)			
1Minute	2000		
2 Seconds	2500		
Open Circuit Voltage Test(volts)	195-235		
Short-Circuit Current Test (Amps)			
Secondary Current	7.4 - 8.6		
Input Current (Amps)	3.35 - 4.40	1.45 - 1.90	1.15 - 1.55



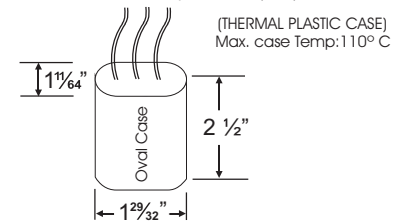
CORE AND COIL	
Dimension A (inches)	3.20
Dimension B (inches)	5.20
Weight (Lbs)	25.0
Lead Lengths (inches)	12

CAPACITOR

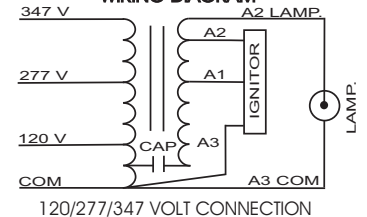


IGNITOR 356-AS-7.9

Ballast to Lamp Distance (BTL): 5 feet

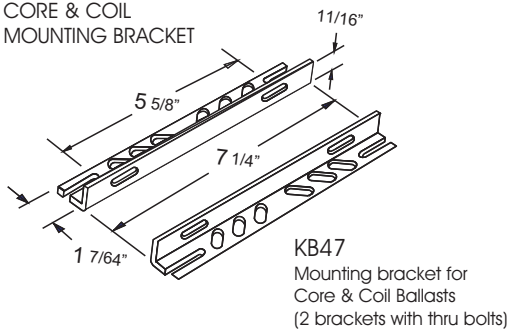


WIRING DIAGRAM

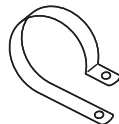


BRACKET

CORE & COIL
MOUNTING BRACKET



C-01
MOUNTING CLIP for round
case (Furnished as standard
with B suffix ballast)



I-01
MOUNTING CLIP for oval
case (Furnished as standard
with B suffix ballast)

Data is based upon tests performed by Industrias Sola Basic in a controlled environment and representative of relative performance. Actual Performance can vary depending on operating conditions. Specifications are subject to change without notice.



Certificate No. 006281



Made in Mexico by Industrias Sola Basic S.A de C.V.

SOLA CANADA

LIGHTING & POWER

171 Ambassador Drive
Units 8 & 9
Mississauga, ON
L5T 2J1

Phone: 905-670-0746
Fax: 905-670-9689

www.solacanada.com