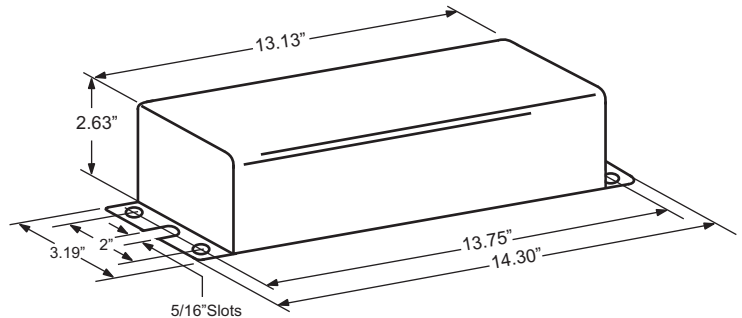


### CATALOG NUMBER: E-MZAFTJ150F FOR ONE 150 WATT, M102 METAL HALIDE LAMP

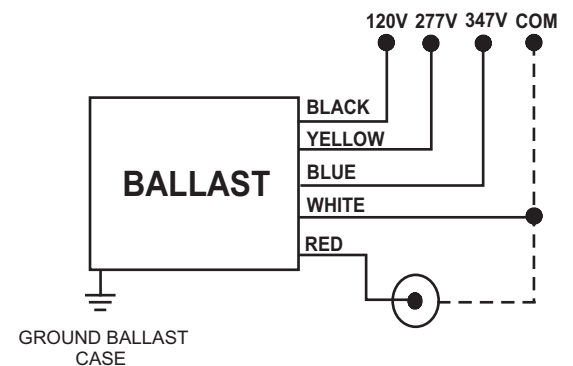
Line Voltage	120/277/347V
Regulation	
Line Volts	+/- 5%
Line Watts	+/-10%
Frequency	60 Hz
Circuit Type	HX-HPF
Power Factor (min)	90%
Insulation Class	A(105°)
Min. Ambient Starting Temp.	-20° F or -30° C



Line Voltage (Volts)	120	277	347
Line Current (Amps)			
Operating	1.70	0.72	0.59
Open Circuit	3.95	1.55	1.25
Starting	1.40	0.65	0.48
Input Watts (W)	185	185	185
Open Circuit Voltage (V)	250	250	250
Drop Out Voltage (V)	72	166	208
UL(1029) Bench Top Rise	A	A	A
Recommended Fuse (Amps)	10	4	4
HIGH POTENTIAL TEST (VOLTS)			
1 Minute	2000		
2 Seconds	2500		
Open Circuit Voltage Test(volts)	230-280		
Short-Circuit Current Test (Amps)			
Secondary Current	1.95 - 2.40		
Input Current (Amps)	1.10 - 1.50	0.50 - 0.70	0.40 - 0.55

Weight (Lbs)	15.50
Lead lengths (Inches)	12.00
Sound rating	B

#### WIRING DIAGRAM



120/277/347 VOLT CONNECTION

#### IGNITOR: IN CAN

The ignitor is included as part of the potted assembly. Ballast to Lamp distance (BTL)= 10 feet. Temp. Rating: 90° C

Data is based upon tests performed by Industrias Sola Basic in a controlled environment and representative of relative performance. Actual Performance can vary depending on operating conditions. Specifications are subject to change without notice.



## SOLA CANADA

### LIGHTING & POWER

171 Ambassador Drive  
Units 8 & 9  
Mississauga, ON  
L5T 2J1

Phone: 905-670-0746  
Fax: 905-670-9689

www.solacanada.com

Made in Mexico by Industrias Sola Basic S.A de C.V.