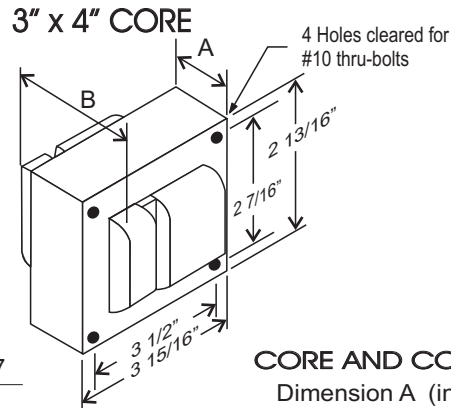


CATALOG NUMBER: E-MZAFTJ150 FOR ONE 150 WATT, M102 METAL HALIDE LAMP

Line Voltage	120/277/347V
Regulation	
Line Volts	+/- 5%
Line Watts	+/-10%
Frequency	60 Hz
Circuit Type	HX-HPF
Power Factor (min)	90%
Insulation Class	H(180°)
Min. Ambient Starting Temp.	-20° F or -30° C

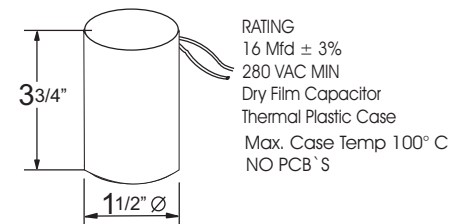


CORE AND COIL

Dimension A (inches)	2.30
Dimension B (inches)	3.65
Weight (Lbs)	8.00
Lead Lengths (inches)	12

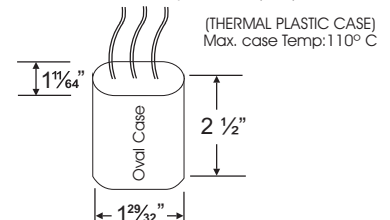
Line Voltage (Volts)	120	277	347
Line Current (Amps)			
Operating	1.68	0.75	0.58
Open Circuit	3.60	1.60	1.27
Starting	1.90	0.82	0.66
Input Watts (W)	185	185	185
Open Circuit Voltage (V)	260	260	260
Drop Out Voltage (V)	90	208	260
UL(1029) Bench Top Rise	D	D	D
Recommended Fuse (Amps)	10	4	3
HIGH POTENTIAL TEST (VOLTS)			
1 Minute	2000		
2 Seconds	2500		
Open Circuit Voltage Test(volts)	235-290		
Short-Circuit Current Test (Amps)			
Secondary Current	2.1 - 2.75		
Input Current (Amps)	1.45 - 3.10	0.52 - 1.25	0.45 - 1.00

CAPACITOR

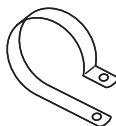
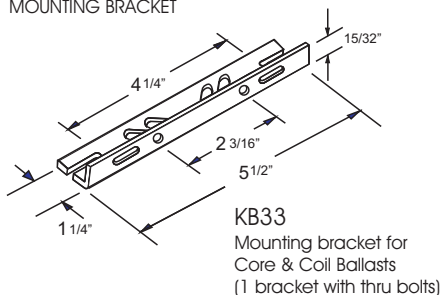


IGNITOR 356-AS-100-MH

Ballast to Lamp Distance (BTL): 5 feet



BRACKET CORE & COIL MOUNTING BRACKET



C-01

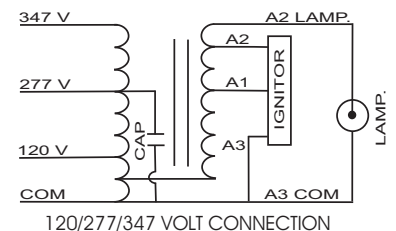
MOUNTING CLIP for round case (Furnished as standard with B suffix ballast)



I-01

MOUNTING CLIP for oval case (Furnished as standard with B suffix ballast)

WIRING DIAGRAM



Data is based upon tests performed by Industrias Sola Basic in a controlled environment and representative of relative performance. Actual Performance can vary depending on operating conditions. Specifications are subject to change without notice.



Certificate No. 006281



SOLA CANADA

LIGHTING & POWER

171 Ambassador Drive
Units 8 & 9
Mississauga, ON
L5T 2J1

Phone: 905-670-0746
Fax: 905-670-9689

www.solacanada.com

Made in Mexico by Industrias Sola Basic S.A de C.V.