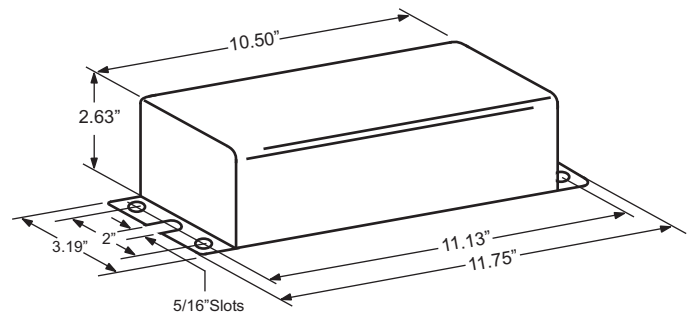


CATALOG NUMBER: E-MZA0FJ100F FOR ONE 100 WATT, M90 METAL HALIDE LAMP

Line Voltage	120/347V
Regulation	
Line Volts	+/- 5%
Line Watts	+/-10%
Frequency	60 Hz
Circuit Type	HX-HPF
Power Factor (min)	90%
Insulation Class	A(105°)
Min. Ambient Starting Temp.	-20° F or -30° C



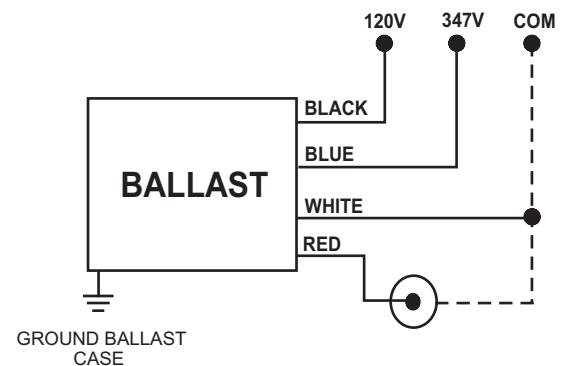
Line Voltage (Volts)	120	347
Line Current (Amps)		
Operating	1.10	0.38
Open Circuit	2.50	0.86
Starting	0.79	0.27
Input Watts (W)	125	125
Open Circuit Voltage (V)	260	260
Drop Out Voltage (V)	84	242
UL(1029) Bench Top Rise	A	A
Recommended Fuse (Amps)	8	2

Weight (Lbs)	11.60
Lead lengths (Inches)	12.00
Sound rating	B

HIGH POTENTIAL TEST (VOLTS)	
1 Minute	2000
2 Seconds	2500
Open Circuit Voltage Test(volts)	230-290

Short-Circuit Current Test (Amps)	
Secondary Current	1.10 - 1.32
Input Current (Amps)	0.60 - 0.20 - 0.90 0.30

WIRING DIAGRAM



120/347 VOLT CONNECTION

IGNITOR: IN CAN

The ignitor is included as part of the potted assembly. Ballast to Lamp distance (BTL) = 50 feet. Temp. Rating: 90° C

Data is based upon tests performed by Industrias Sola Basic in a controlled environment and representative of relative performance. Actual Performance can vary depending on operating conditions. Specifications are subject to change without notice.



Certificate No. 006281



Made in Mexico by Industrias Sola Basic S.A de C.V.

SOLA CANADA

LIGHTING & POWER

171 Ambassador Drive
Units 8 & 9
Mississauga, ON
L5T 2J1

Phone: 905-670-0746
Fax: 905-670-9689

www.solacanada.com