

### CATALOG NUMBER: E-MIAFRM175 FOR ONE 175 WATT, M57 METAL HALIDE LAMP

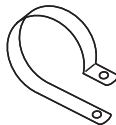
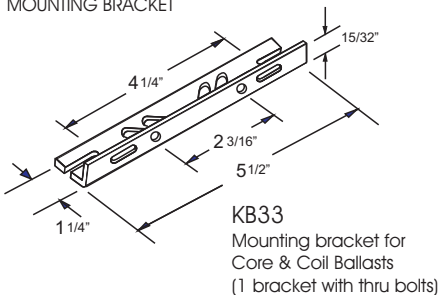
Line Voltage	120/208/240V
Regulation	
Line Volts	+/-10%
Lamp Watts	+/-10%
Frequency	60 Hz
Circuit Type	CWI
Power Factor (min)	90%
Insulation Class	H(180°)
Min. Ambient Starting Temp.	-20° F or -30° C

Line Voltage (Volts)	120	208	240
Line Current (Amps)			
Operating	1.84	1.06	0.92
Open Circuit	1.84	1.06	0.92
Starting	0.77	0.47	0.41
Input Watts (W)	215	215	215
Open Circuit Voltage (V)	315	315	315
Drop Out Voltage (V)	65	105	125
UL(1029) Bench Top Rise	C	B	B
Recommended Fuse (Amps)	5	3	3

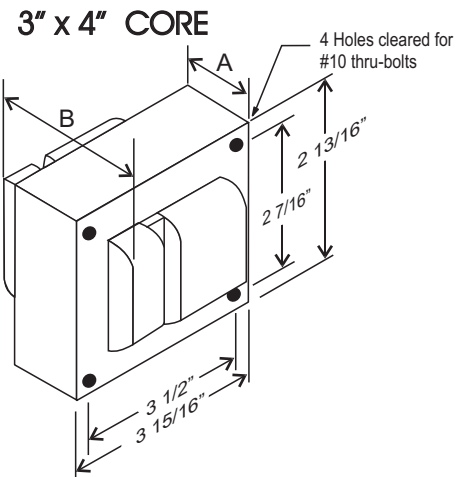
HIGH POTENTIAL TEST (VOLTS)	
1 Minute	2000
2 Seconds	2500
Open Circuit Voltage Test (volts)	290-345

Short-Circuit Current Test (Amps)			
Secondary Current	1.5 - 1.9		
Input Current (Amps)	0.35 - 0.82	0.20 - 0.48	0.17 - 0.41

#### BRACKET CORE & COIL MOUNTING BRACKET



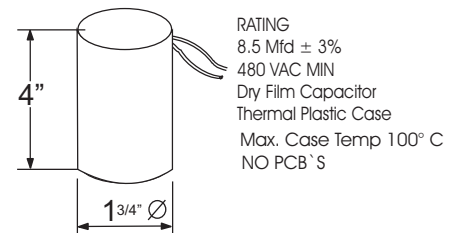
**C-01**  
MOUNTING CLIP for round case (Furnished as standard with B suffix ballast)



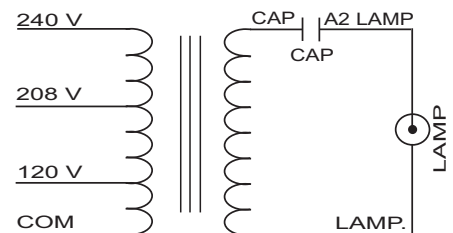
#### CORE AND COIL

Dimension A (inches)	2.80
Dimension B (inches)	4.20
Weight (Lbs)	9.5
Lead Lengths (inches)	12

#### CAPACITOR



#### WIRING DIAGRAM



120/208/240 VOLT CONNECTION

Data is based upon tests performed by Industrias Sola Basic in a controlled environment and representative of relative performance. Actual Performance can vary depending on operating conditions. Specifications are subject to change without notice.

ISO 9001:2000



## SOLA CANADA

### LIGHTING & POWER

171 Ambassador Drive  
Units 8 & 9  
Mississauga, ON  
L5T 2J1

Phone: 905-670-0746  
Fax: 905-670-9689

www.solacanada.com

Made in Mexico by Industrias Sola Basic S.A de C.V.