

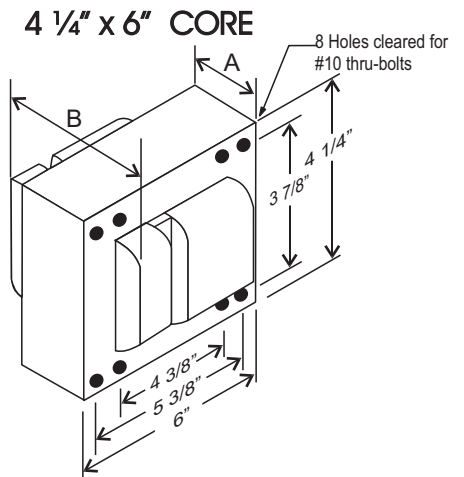
CATALOG NUMBER: E-MIADDZ1000 FOR ONE 1000 WATT, M47 METAL HALIDE LAMP

Line Voltage	480/600V
Regulation	
Line Volts	+/-10%
Lamp Watts	+/-10%
Frequency	60 Hz
Circuit Type	CWI
Power Factor (min)	90%
Insulation Class	H(180°)
Min. Ambient Starting Temp.	-20° F or -30° C

Line Voltage (Volts)	480	600
Line Current (Amps)		
Operating	2.40	1.92
Open Circuit	1.62	1.30
Starting	1.05	0.83
Input Watts (W)	1100	1100
Open Circuit Voltage (V)	410	410
Drop Out Voltage (V)	260	315
UL(1029) Bench Top Rise	C	B
Recommended Fuse (Amps)	6	5

HIGH POTENTIAL TEST (VOLTS)	
1 Minute	2000
2 Seconds	2500
Open Circuit Voltage Test(volts)	375-460

Short-Circuit Current Test (Amps)	
Secondary Current	5.2 - 6.0
Input Current (Amps)	0.81 - 0.64 - 1.10 0.90

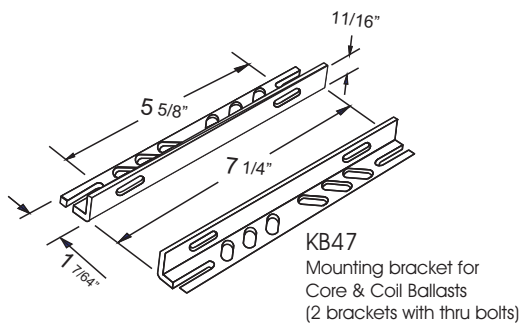


CORE AND COIL

Dimension A (inches)	4.50
Dimension B (inches)	6.15
Weight (Lbs)	33.2
Lead Lengths (inches)	12

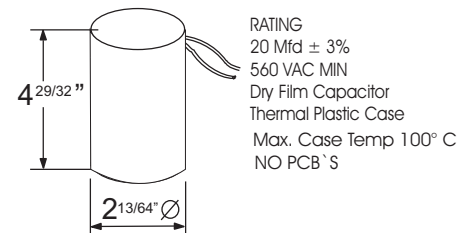
BRACKET

CORE & COIL
MOUNTING BRACKET

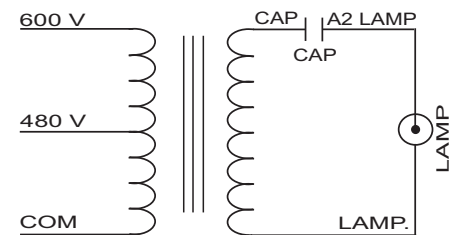


C-01
MOUNTING CLIP for round case (Furnished as standard with B suffix ballast)

CAPACITOR



WIRING DIAGRAM



480/600 VOLT CONNECTION

Data is based upon tests performed by Industrias Sola Basic in a controlled environment and representative of relative performance. Actual Performance can vary depending on operating conditions. Specifications are subject to change without notice.

ISO 9001:2000



SOLA CANADA

LIGHTING & POWER

171 Ambassador Drive
Units 8 & 9
Mississauga, ON
L5T 2J1

Phone: 905-670-0746
Fax: 905-670-9689

www.solacanada.com

Made in Mexico by Industrias Sola Basic S.A de C.V.