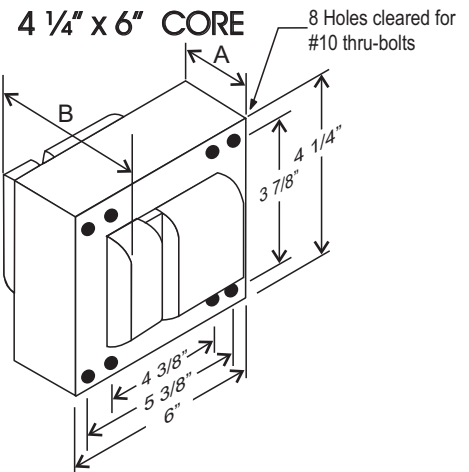


CATALOG NUMBER: E-MCAFTJDD751 FOR ONE 750 WATT, M149 METAL HALIDE PULSE START LAMP

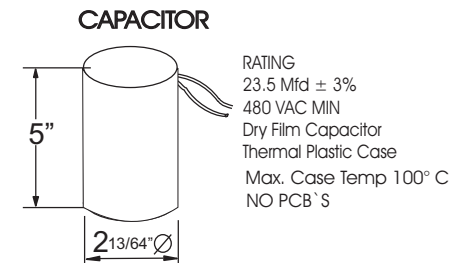
Line Voltage	120/277/347/480V
Regulation	
Line Volts	+/-10%
Line Watts	+/-10%
Frequency	60 Hz
Circuit Type	CWA
Power Factor (min)	90%
Insulation Class	H(180°)
Min. Ambient Starting Temp.	-20° F or -30° C

Line Voltage (Volts)	120	277	347	480
Line Current (Amps)				
Operating	7.0	3.0	2.45	1.75
Open Circuit	5.2	2.28	1.9	1.38
Starting	4.8	2.08	1.65	1.20
Input Watts (W)	818	818	818	818
Open Circuit Voltage (V)	360	360	360	360
Drop Out Voltage (V)	60	138	174	240
UL(1029) Bench Top Rise	D	D	D	D
Recommended Fuse (Amps)	20	8	7	5

HIGH POTENTIAL TEST (VOLTS)	
1Minute	2000
2 Seconds	2500
Open Circuit Voltage Test(volts)	325-400
Short-Circuit Current Test (Amps)	
Secondary Current	4.4 - 5.3
Input Current (Amps)	3.85 - 5.30 1.65 - 2.30 1.25 - 1.85 0.90 - 1.35

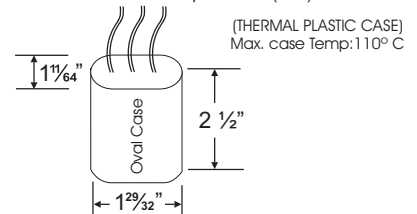


CORE AND COIL	
Dimension A (inches)	2.40
Dimension B (inches)	4.40
Weight (Lbs)	20.00
Lead Lengths (inches)	12



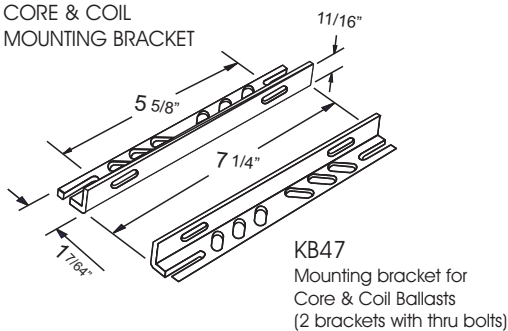
IGNITOR 356-AS-751-MH

Ballast to Lamp Distance (BTL): 5 feet

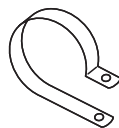


BRACKET

CORE & COIL
MOUNTING BRACKET

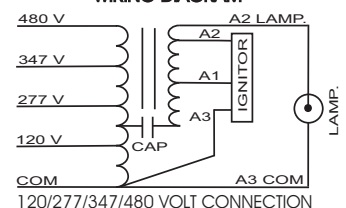


C-01
MOUNTING CLIP for round case (Furnished as standard with B suffix ballast)



I-01
MOUNTING CLIP for oval case (Furnished as standard with B suffix ballast)

WIRING DIAGRAM



Data is based upon tests performed by Industrias Sola Basic in a controlled environment and representative of relative performance. Actual Performance can vary depending on operating conditions. Specifications are subject to change without notice.



Certificate No. 006281



SOLA CANADA

LIGHTING & POWER

171 Ambassador Drive
Units 8 & 9
Mississauga, ON
L5T 2J1

Phone: 905-670-0746
Fax: 905-670-9689

www.solacanada.com