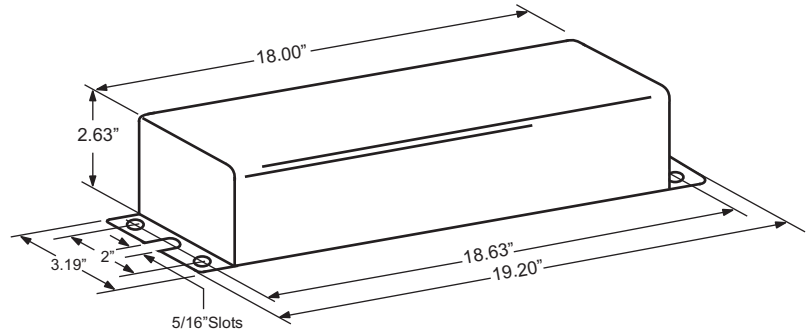


CATALOG NUMBER: E-MCAFTJ400F FOR ONE 400 WATT, M59 METAL HALIDE LAMP

| | |
|-----------------------------|------------------|
| Line Voltage | 120/277/347V |
| Regulation | |
| Line Volts | +/- 10% |
| Line Watts | +/-10% |
| Frequency | 60 Hz |
| Circuit Type | CWA |
| Power Factor (min) | 90% |
| Insulation Class | A(105°) |
| Min. Ambient Starting Temp. | -20° F or -30° C |

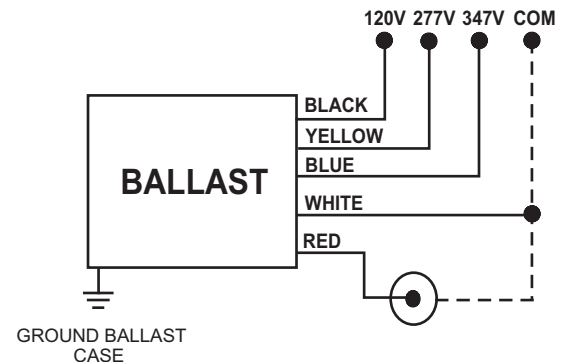


| Line Voltage (Volts) | 120 | 277 | 347 |
|--------------------------|------|------|------|
| Line Current (Amps) | | | |
| Operating | 3.90 | 1.70 | 1.35 |
| Open Circuit | 3.00 | 1.31 | 1.10 |
| Starting | 2.84 | 1.20 | 0.95 |
| Input Watts (W) | 460 | 460 | 460 |
| Open Circuit Voltage (V) | 300 | 300 | 300 |
| Drop Out Voltage (V) | 66 | 152 | 192 |
| UL(1029) Bench Top Rise | A | A | A |
| Recommended Fuse (Amps) | 10 | 5 | 5 |

| | |
|-----------------------|-------|
| Weight (Lbs) | 22.50 |
| Lead lengths (Inches) | 12.00 |
| Sound rating | C |

| HIGH POTENTIAL TEST (VOLTS) | |
|-----------------------------------|--|
| 1Minute | 2000 |
| 2 Seconds | 2500 |
| Open Circuit Voltage Test(volts) | 270-330 |
| Short-Circuit Current Test (Amps) | |
| Secondary Current | 3.30 - 4.0 |
| Input Current (Amps) | 2.15 - 0.90 - 0.70 - 3.15 1.35 1.10 |

WIRING DIAGRAM



120/277/347 VOLT CONNECTION

Data is based upon tests performed by Industrias Sola Basic in a controlled environment and representative of relative performance. Actual Performance can vary depending on operating conditions. Specifications are subject to change without notice.



Certificate No. 006281



Made in Mexico by Industrias Sola Basic S.A de C.V.

SOLA CANADA

LIGHTING & POWER

171 Ambassador Drive
Units 8 & 9
Mississauga, ON
L5T 2J1

Phone: 905-670-0746
Fax: 905-670-9689

www.solacanada.com