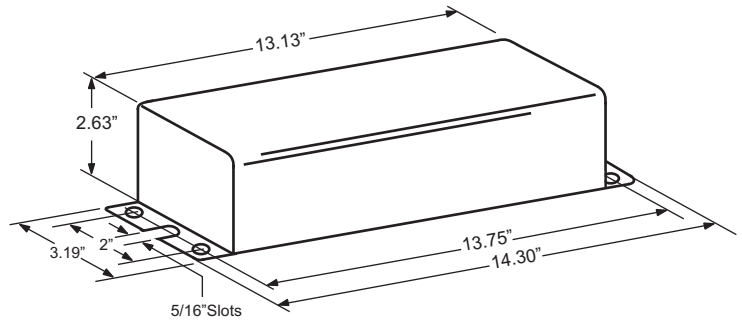


CATALOG NUMBER: E-MCAFTJ250F FOR ONE 250 WATT, M58 OR H37 METAL HALIDE LAMP

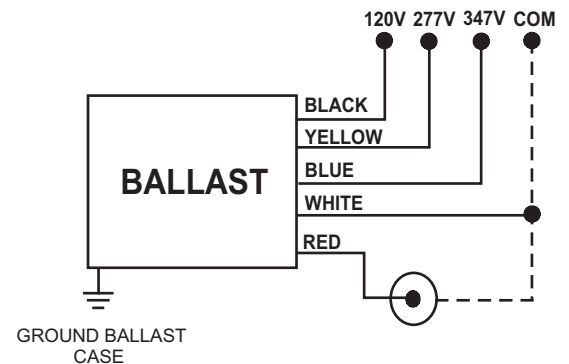
Line Voltage	120/277/347V
Regulation	
Line Volts	+/- 10%
Line Watts	+/-10%
Frequency	60 Hz
Circuit Type	CWA
Power Factor (min)	90%
Insulation Class	A(105°)
Min. Ambient Starting Temp.	-20° F or -30° C



Line Voltage (Volts)	120	277	347
Line Current (Amps)			
Operating	2.60	1.10	0.87
Open Circuit	2.40	1.05	0.82
Starting	1.50	0.67	0.53
Input Watts (W)	295	295	295
Open Circuit Voltage (V)	310	310	310
Drop Out Voltage (V)	66	155	192
UL(1029) Bench Top Rise	A	A	A
Recommended Fuse (Amps)	8	4	3
HIGH POTENTIAL TEST (VOLTS)			
1 Minute	2000		
2 Seconds	2500		
Open Circuit Voltage Test(volts)	280-340		
Short-Circuit Current Test (Amps)			
Secondary Current	2.15 - 2.65		
Input Current (Amps)	0.95 - 1.85	0.40 - 0.80	0.31 - 0.65

Weight (Lbs)	15.50
Lead lengths (Inches)	12.00
Sound rating	C

WIRING DIAGRAM



120/277/347 VOLT CONNECTION

Data is based upon tests performed by Industrias Sola Basic in a controlled environment and representative of relative performance. Actual Performance can vary depending on operating conditions. Specifications are subject to change without notice.



Certificate No. 006281



Made in Mexico by Industrias Sola Basic S.A de C.V.

SOLA CANADA

LIGHTING & POWER

171 Ambassador Drive
Units 8 & 9
Mississauga, ON
L5T 2J1

Phone: 905-670-0746
Fax: 905-670-9689

www.solacanada.com