

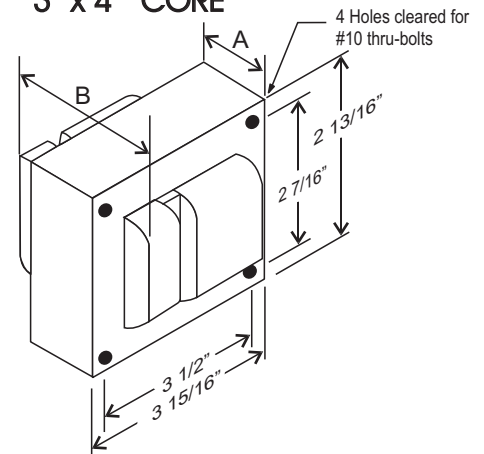
CATALOG NUMBER: E-MCAFTJ250 FOR ONE 250 WATT, M58 METAL HALIDE LAMP

Line Voltage	120/277/347V
Regulation	
Line Volts	+/-10%
Lamp Watts	+/-10%
Frequency	60 Hz
Circuit Type	CWA
Power Factor (min)	90%
Insulation Class	180
Min. Ambient Starting Temp.	-20° F or -30° C

Line Voltage (Volts)	120	277	347
Line Current (Amps)			
Operating	2.60	1.10	0.90
Open Circuit	2.60	1.10	0.90
Starting	1.05	0.45	0.36
Input Watts (W)	294	294	294
Open Circuit Voltage (V)	300	300	300
Drop Out Voltage (V)	60	140	175
UL(1029) Bench Top Rise	D	D	D
Recommended Fuse (Amps)	8	3	3

HIGH POTENTIAL TEST (VOLTS)	
1 Minute	2000
2 Seconds	2500
Open Circuit Voltage Test(volts)	270-330
Short-Circuit Current Test (Amps)	
Secondary Current	2.1 - 2.70
Input Current (Amps)	0.60 - 1.25 0.25 - 0.55 0.20 - 0.42

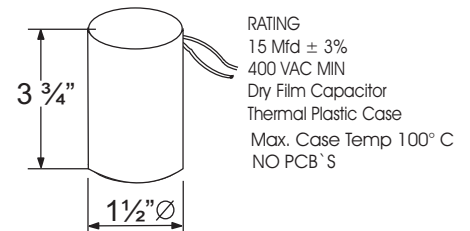
3" x 4" CORE



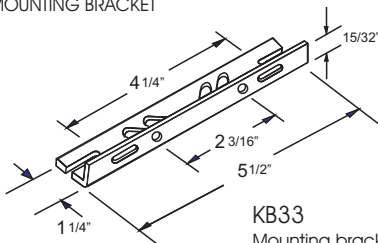
CORE AND COIL

Dimension A (inches)	3.00
Dimension B (inches)	4.40
Weight (Lbs)	10.50
Lead Lengths (inches)	12

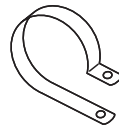
CAPACITOR



BRACKET CORE & COIL MOUNTING BRACKET

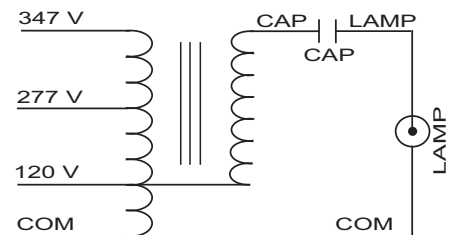


KB33
Mounting bracket for
Core & Coil Ballasts
(1 bracket with thru bolts)



C-01
MOUNTING CLIP for round
case (Furnished as standard
with B suffix ballast)

WIRING DIAGRAM



120/277/347 VOLT CONNECTION

Data is based upon tests performed by Industrias Sola Basic in a controlled environment and representative of relative performance. Actual Performance can vary depending on operating conditions. Specifications are subject to change without notice.

ISO 9001:2000



SOLA CANADA

LIGHTING & POWER

171 Ambassador Drive
Units 8 & 9
Mississauga, ON
L5T 2J1

Phone: 905-670-0746
Fax: 905-670-9689

www.solacanada.com

Made in Mexico by Industrias Sola Basic S.A de C.V.