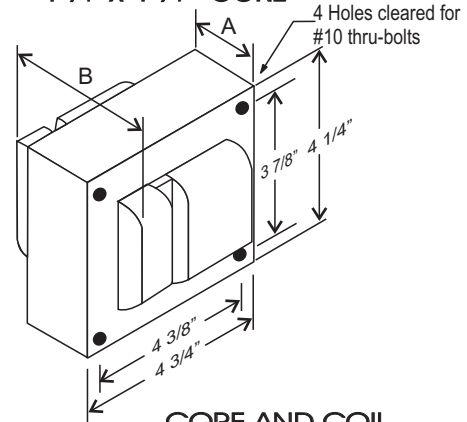


CATALOG NUMBER: E-971-FTJ-SO400 FOR ONE 400 WATT, S51 HIGH PRESSURE SODIUM LAMP

| | |
|-----------------------------|------------------|
| Line Voltage | 120/277/347V |
| Regulation | |
| Line Volts | +/- 10% |
| Line Watts | WITHIN TRAPEZOID |
| Frequency | 60 Hz |
| Circuit Type | CWA |
| Power Factor (min) | 90% |
| Insulation Class | H(180°) |
| Min. Ambient Starting Temp. | -40° F or -40° C |

| | | | |
|-----------------------------------|-------------|-------------|-------------|
| Line Voltage (Volts) | 120 | 277 | 347 |
| Line Current (Amps) | | | |
| Operating | 3.90 | 1.70 | 1.35 |
| Open Circuit | 2.10 | 0.92 | 0.72 |
| Starting | 3.30 | 1.43 | 1.14 |
| Input Watts (W) | 464 | 464 | 464 |
| Open Circuit Voltage (V) | 190 | 190 | 190 |
| Drop Out Voltage (V) | 90 | 208 | 260 |
| UL(1029) Bench Top Rise | D | D | D |
| Recommended Fuse (Amps) | 10 | 5 | 5 |
| HIGH POTENTIAL TEST (VOLTS) | | | |
| 1 Minute | 2000 | | |
| 2 Seconds | 2500 | | |
| Open Circuit Voltage Test(volts) | 170-210 | | |
| Short-Circuit Current Test (Amps) | | | |
| Secondary Current | 6.2 - 7.0 | | |
| Input Current (Amps) | 2.75 - 3.20 | 1.20 - 1.40 | 0.95 - 1.15 |

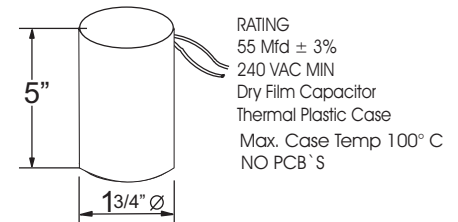
4 1/4" x 4 3/4" CORE



CORE AND COIL

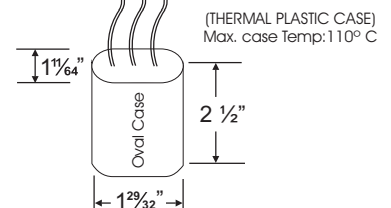
| | |
|-----------------------|-------|
| Dimension A (inches) | 2.30 |
| Dimension B (inches) | 4.10 |
| Weight (Lbs) | 14.60 |
| Lead Lengths (inches) | 12 |

CAPACITOR

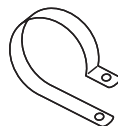
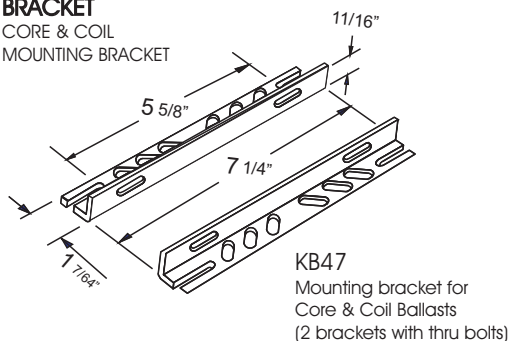


IGNITOR 37-63-AS-6.9-N6

Ballast to Lamp Distance (BTL): 2 feet



BRACKET CORE & COIL MOUNTING BRACKET

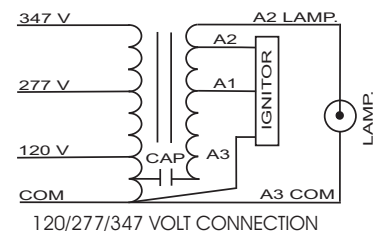


C-01
MOUNTING CLIP for round case (Furnished as standard with B suffix ballast)



I-01
MOUNTING CLIP for oval case (Furnished as standard with B suffix ballast)

WIRING DIAGRAM



Data is based upon tests performed by Industrias Sola Basic in a controlled environment and representative of relative performance. Actual Performance can vary depending on operating conditions. Specifications are subject to change without notice.



Certificate No. 006281



SOLA CANADA LIGHTING & POWER

171 Ambassador Drive
Units 8 & 9
Mississauga, ON
L5T 2J1

Phone: 905-670-0746
Fax: 905-670-9689

www.solacanada.com

Made in Mexico by Industrias Sola Basic S.A de C.V.