

DESCRIPTION

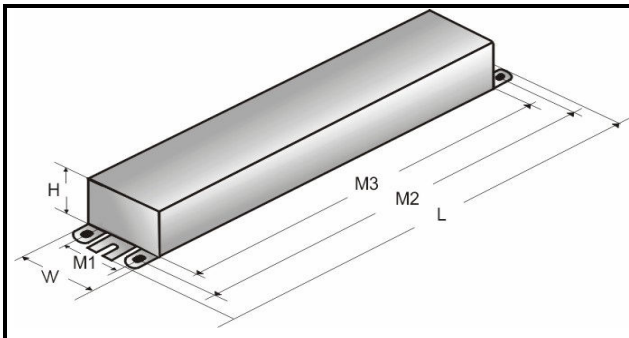
CATALOG: E-758-U-432-SC	BALLAST TYPE: Electronic	STARTING METHOD: Instant Start	NUMBER OF LAMPS – LAMP TYPE: 1 or 2 or 3 or 4 - F17T8, F25T8, F32T8, F32T8/U
----------------------------	-----------------------------	-----------------------------------	---

ELECTRICAL CHARACTERISTICS

INPUT VOLTAGE: 120/277 V~ ±10%	LAMP WATTS: 17/25/32 w	INPUT WATTS: 113 w	INPUT CURRENT: 0.950/0.420 A	OCV: 650 v	PF: > 0.97	FREQUENCY: 50/60 Hz	SOUND RATED: A
MIN START TEMP: 32°F / 0°C	CLASS: P	TYPE: 1 outdoor	BALLAST FACTOR: 0.87	BEF: 0.769	LAMP CONNECTION: PARALLEL	THD (1): < 10%	NO PCB'S

(1) FOR 4-F32T8

PHYSICAL CHARACTERISTICS



CASE DIMENSIONS							
UNITS	M1	M2	M3	W	L	H	
INCHES	1.220	8.900	8.350	1.700	9.500	1.180	
TOL(+/-)	0.010	0.010	0.010	0.050	0.050	0.050	
MM	31	226	212	43	241	30	
TOL(+/-)	0.25	0.25	0.25	1.30	1.30	1.30	
LEAD LENGTH							
UNITS	BLACK	WHITE	YELLOW	YELLOW	BLUE	BLUE	RED
INCHES	22	22	43	43	34	34	34
TOL(+/-)	3/8	3/8	3/8	3/8	3/8	3/8	3/8
MM	559	559	1092	1092	863	863	863
TOL(+/-)	10	10	10	10	10	10	10

CARTON CHARACTERISTICS

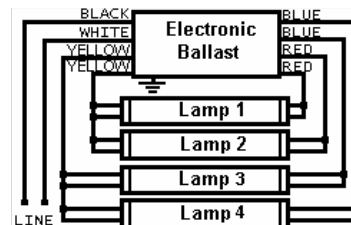
UNITS/CARTON 20	CARTONS/LAYER 12	# OF LAYERS 7	UNITS/PALLET 1680	PIECE WEIGHT 1.45 lbs	CARTON WEIGHT 30 lbs	PALLET WEIGHT 2,597 lbs
CARTONS/PALLET 84	CARTON DIMENSIONS 12.75" x 12.00" x 4.50"	PALLET DIMENSIONS 40" x 48" x 7"	PALLET DIMENSIONS LOADED, INCLUDING WOOD PALLET 40" x 48" x 39"			

MISC.

--

CARTON LABEL

ELECTRICAL DIAGRAM



PRODUCT LABEL



Certificate No. 006281

SOLA CANADA

LIGHTING & POWER

171 Ambassador Drive
Units 8 & 9
Mississauga, ON
L5T 2J1

Phone: 905-670-0746
Fax: 905-670-9689

www.solacanada.com

Data is based upon tests performed by Industrias Sola Basic in a controlled environment and representative of relative performance. Actual performance can vary depending on operating conditions. Specifications are subject to change without notice.

Made in Mexico by Industrias Sola Basic S.A. de C.V.